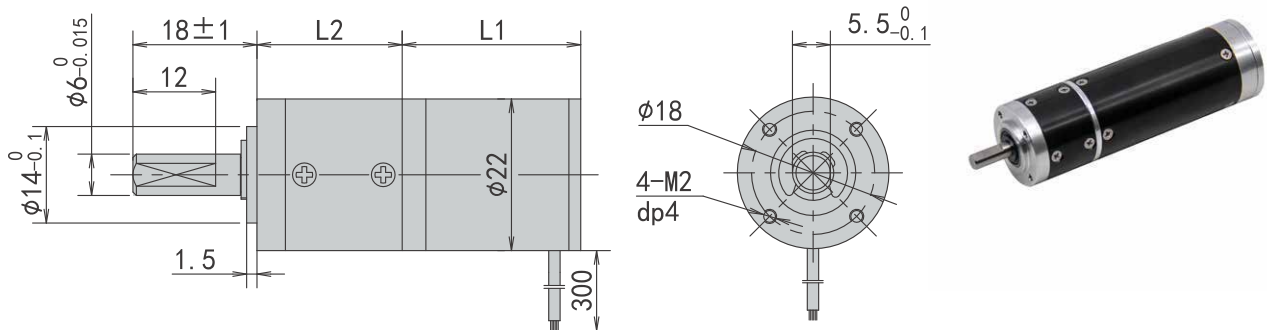


# PBLR22GEL Series

## Planetary Gearbox BLDC Motor



### Motor Specifications

Motor Model	Unit	PBLR22GEL240340	PBLR22GEL240640	PBLR22GEL240940
Number of Phase		3		
Number of Poles		8		
Rated Voltage	VDC	24		
Rated Speed	Rpm	4000		
Rated Torque	N.m	0.0075	0.015	0.0225
Rated Power	W	3	6	9
Rated Current	A	0.2	0.4	0.6
Peak Current	A	0.6	1.2	1.8
Peak Torque	N.m	0.0225	0.045	0.0675
Rotor Inertia	kg.cm <sup>2</sup>	0.008	0.014	0.02
Torque Constant	N.m/A	0.04	0.04	0.04
Torque Constant	V/krpm	4.48	5.23	4.18
Line-Line Resistance	$\Omega$	1.9	2.5	3.4
Line-Line Inductance	mH	0.9	1.1	1.3
Length L1	mm	34	44	54
Weight	kg	0.2	0.3	0.4

### Gearbox Electrical Specifications

Reduction stage		1	2	3
Transmission efficiency	%	90	81	73
Max radial load	N	10	10	10
Max axial load	N	6	6	6
Rated admissible torque	N.m	0.1	0.4	0.8
Reduction Ratio		3.71,5.18	14,19,27	51,71,100,139
Length L2	mm	21	27.2	33.4