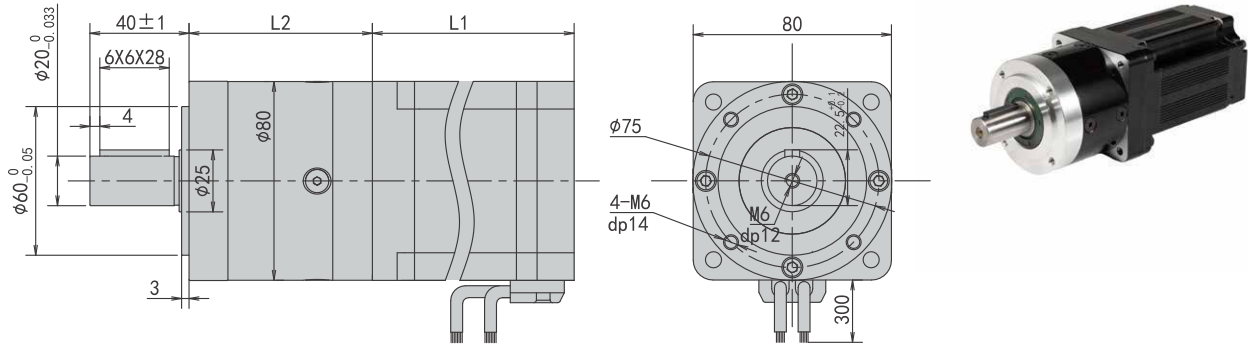


PBLS80GES Series

Planetary Gearbox BLDC Motor



Electrical Specifications

| Motor Model | Unit | PBLS80GES481830 | PBLS80GES482530 |
|----------------------|--------------------|-----------------|-----------------|
| Number of Phase | | 3 | |
| Number of Poles | | 8 | |
| Rated Voltage | VDC | 48 | |
| Rated Speed | Rpm | 3000 | |
| Rated Torque | N.m | 0.6 | 0.8 |
| Rated Power | W | 188 | 250 |
| Rated Current | A | 5.0 | 7.0 |
| Peak Current | A | 15.0 | 21.0 |
| Peak Torque | N.m | 1.8 | 2.4 |
| Rotor Inertia | kg.cm ² | 0.6 | 0.7 |
| Torque Constant | N.m/A | 0.11 | 0.11 |
| Torque Constant | V/krpm | 10.5 | 10.5 |
| Line-Line Resistance | Ω | 0.9 | 0.7 |
| Line-Line Inductance | mH | 0.7 | 0.5 |
| Length L1 | mm | 99 | 109 |
| Weight | kg | 1.5 | 1.7 |

Gearbox Electrical Specifications

| Reduction stage | | 1 | 2 |
|-------------------------|-----|------|-------------------|
| Transmission efficiency | % | 95 | 90 |
| Max radial load | N | 1000 | 1000 |
| Max axial load | N | 500 | 500 |
| Rated admissible torque | N.m | 50 | 80 |
| Reduction Ratio | | 5,10 | 15,20,25,30,40,50 |
| Length L2 | mm | 74 | 93 |