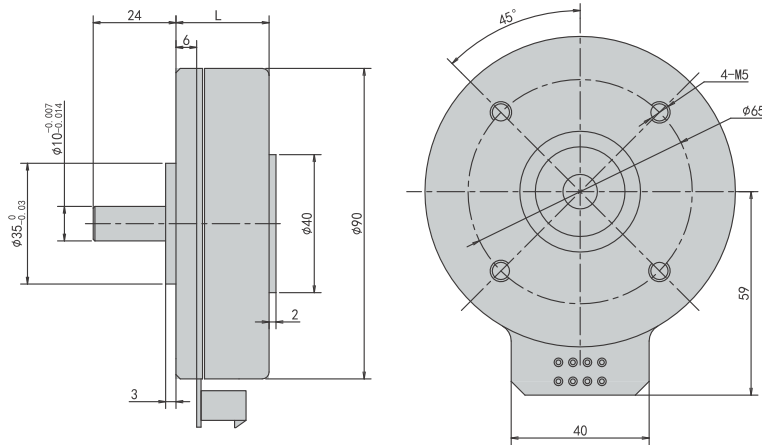


PBLR90EDL Series

Outer Rotor BLDC Motor



Options



General Specifications

Winding Type	Star/Delta
Hall Effect Angle	Electrical Angle of 120 degree
Radial Play	0.02mm@450g
Axial Play	0.08mm@450g
Max radial force	110N,10mm From the flange
Max axial force	45N
Dielectric Strength	600VAC/1S
Insulation Resistance	100MΩ,500VDC
Ambient Temperature	-20°C~+50°C
Insulation Class	Class B

Wiring Connection

Type	Color	Function
UL1007 AWG26	Red	Vcc
	Yellow	Hu
	Green	Hv
	Blue	Hw
	Black	GND
UL1007 AWG18	Yellow	Phase U
	Green	Phase V
	Blue	Phase W

Electrical Specifications

Motor Model	Unit	PBLR90EDL241020	PBLR90EDL241520	PBLR90EDL242020
Number of Phase		3		
Number of Poles		24		
Rated Voltage	VDC	24		
Rated Speed	Rpm	2000		
Rated Torque	N.m	0.5	0.75	1.0
Rated Power	W	100	150	200
Rated Current	A	6.4	9.6	12.8
Peak Current	A	19.2	28.8	38.4
Peak Torque	N.m	1.5	2.25	3.0
Rotor Inertia	kg.cm ²	3.0	4.0	5.0
Torque Constant	N.m/A	0.08	0.08	0.08
Torque Constant	V/krpm	7.5	7.5	7.5
Line-Line Resistance	Ω	0.4	0.25	0.15
Line-Line Inductance	mH	0.3	0.25	0.2
Length	mm	26.3	31.3	36.3
Weight	kg	0.6	0.8	1.0