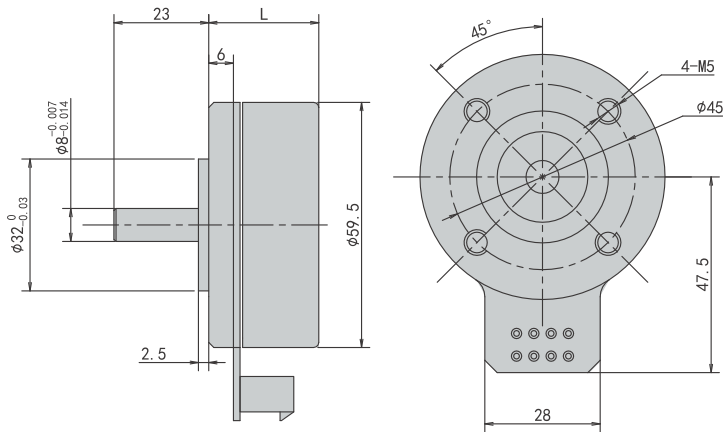


# PBLR60EHL Series

## Outer Rotor BLDC Motor



Options



### General Specifications

Winding Type	Star/Delta
Hall Effect Angle	Electrical Angle of 120 degree
Radial Play	0.02mm@450g
Axial Play	0.08mm@450g
Max radial force	75N,10mm From the flange
Max axial force	15N
Dielectric Strength	600VAC/1S
Insulation Resistance	100MΩ,500VDC
Ambient Temperature	-20°C~+50°C
Insulation Class	Class B

### Wiring Connection

Type	Color	Function
UL1007 AWG26	Red	Vcc
	Yellow	Hu
	Green	Hv
	Blue	Hw
	Black	GND
UL1007 AWG18	Yellow	Phase U
	Green	Phase V
	Blue	Phase W

### Electrical Specifications

Motor Model	Unit	PBLR60EHL244530	PBLR60EHL246030	PBLR60EHL249030
Number of Phase		3		
Number of Poles		16		
Rated Voltage	VDC	24		
Rated Speed	Rpm	3000		
Rated Torque	N.m	0.15	0.2	0.3
Rated Power	W	45	60	90
Rated Current	A	2.9	3.8	5.8
Peak Current	A	8.7	11.4	17.4
Peak Torque	N.m	0.45	0.6	0.9
Rotor Inertia	kg.cm <sup>2</sup>	0.7	1.0	1.3
Torque Constant	N.m/A	0.05	0.05	0.05
Torque Constant	V/krpm	4.5	4.5	4.5
Line-Line Resistance	Ω	0.7	0.45	0.2
Line-Line Inductance	mH	0.25	0.15	0.1
Length	mm	26.3	31.3	36.3
Weight	kg	0.3	0.4	0.5