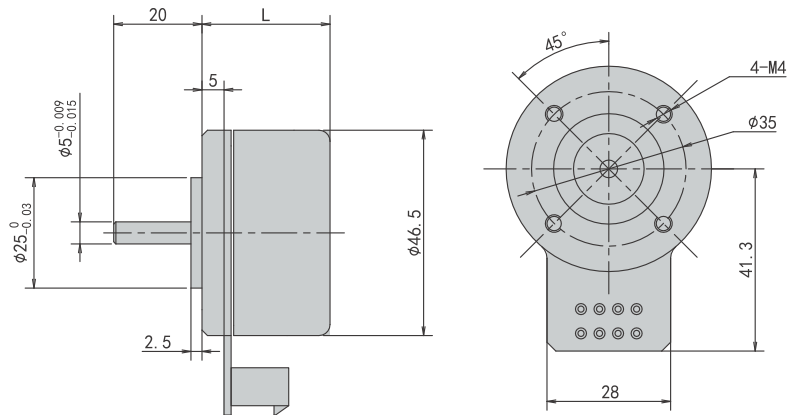


PBLR46EHL Series

Outer Rotor BLDC Motor



Options



General Specifications

Winding Type	Star/Delta
Hall Effect Angle	Electrical Angle of 120 degree
Radial Play	0.02mm@450g
Axial Play	0.08mm@450g
Max radial force	20N,10mm From the flange
Max axial force	10N
Dielectric Strength	600VAC/1S
Insulation Resistance	100M Ω ,500VDC
Ambient Temperature	-20°C~+50°C
Insulation Class	Class B

Wiring Connection

Type	Color	Function
UL1007 AWG26	Red	Vcc
	Yellow	Hu
	Green	Hv
	Blue	Hw
	Black	GND
UL1007 AWG22	Yellow	Phase U
	Green	Phase V
	Blue	Phase W

Electrical Specifications

Motor Model	Unit	PBLR46EHL244050	PBLR46EHL246050	PBLR46EHL248050
Number of Phase		3		
Number of Poles		16		
Rated Voltage	VDC	24		
Rated Speed	Rpm	5000		
Rated Torque	N.m	0.08	0.12	0.16
Rated Power	W	40	60	80
Rated Current	A	2.5	3.8	5.1
Peak Current	A	7.5	11.4	15.2
Peak Torque	N.m	0.24	0.36	0.48
Rotor Inertia	kg.cm ²	0.2	0.35	0.5
Torque Constant	N.m/A	0.03	0.03	0.03
Torque Constant	V/krpm	2.8	2.8	2.8
Line-Line Resistance	Ω	1.5	0.9	0.4
Line-Line Inductance	mH	1.3	0.8	0.3
Length	mm	25.3	30.3	35.3
Weight	kg	0.2	0.3	0.4