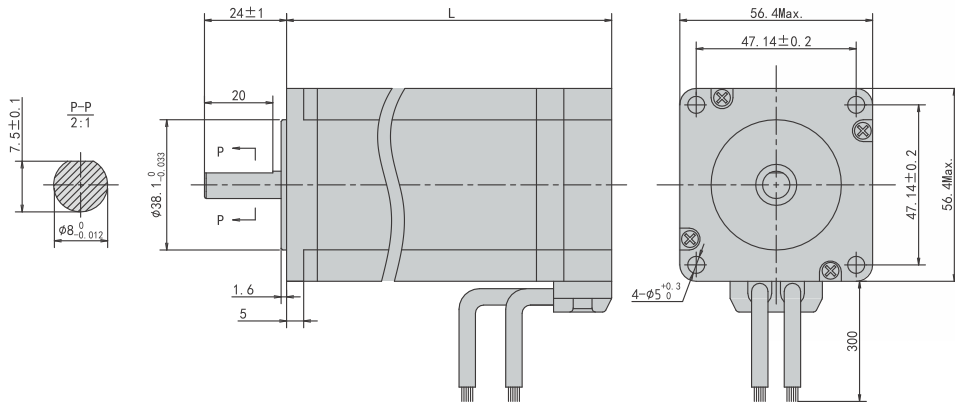


PBLS56HES Series

Inner Rotor BLDC Motor



Options



General Specifications

Winding Type	Star/Delta
Hall Effect Angle	Electrical Angle of 120 degree
Radial Play	0.02mm@450g
Axial Play	0.08mm@450g
Max radial force	75N,10mm From the flange
Max axial force	15N
Dielectric Strength	600VAC/1S
Insulation Resistance	100MΩ,500VDC
Ambient Temperature	-20°C~+50°C
Insulation Class	Class B

Wiring Connection

Type	Color	Function
UL1007 AWG26	Red	Vcc
	Yellow	Hu
	Green	Hv
	Blue	Hw
	Black	GND
UL1007 AWG20	Yellow	Phase U
	Green	Phase V
	Blue	Phase W

Motor Specifications

Motor Model	Unit	PBLS56HES486330	PBLS56HES481230	PBLS56HES481830
Number of Phase		3		
Number of Poles		8		
Rated Voltage	VDC	48		
Rated Speed	Rpm	3000		
Rated Torque	N.m	0.2	0.4	0.6
Rated Power	W	63	125	188
Rated Current	A	1.6	3.3	5.0
Peak Current	A	4.8	9.9	15.0
Peak Torque	N.m	0.6	1.2	1.8
Rotor Inertia	kg.cm ²	0.25	0.35	0.45
Torque Constant	N.m/A	0.125	0.121	0.12
Torque Constant	V/krpm	13.08	12.71	12.56
Line-Line Resistance	Ω	1.11	0.93	0.52
Line-Line Inductance	mH	0.91	0.65	0.43
Length	mm	58	78	98
Weight	kg	1.0	1.4	1.8