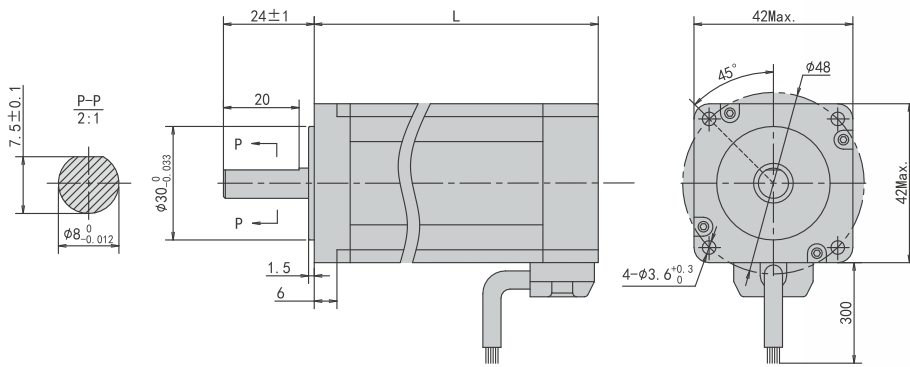


PBLS42HES Series

Inner Rotor BLDC Motor



Options



General Specifications

Winding Type	Star/Delta
Hall Effect Angle	Electrical Angle of 120 degree
Radial Play	0.02mm@450g
Axial Play	0.08mm@450g
Max radial force	28N,10mm From the flange
Max axial force	10N
Dielectric Strength	6000VAC/1S
Insulation Resistance	100MΩ,500VDC
Ambient Temperature	-20°C~+50°C
Insulation Class	Class B

Wiring Connection

Type	Color	Function
UL1007 AWG26	Red	Vcc
	Yellow	Hu
	Green	Hv
	Blue	Hw
	Black	GND
UL1007 AWG22	Yellow	Phase U
	Green	Phase V
	Blue	Phase W

Motor Specifications

Motor Model	Unit	PBLS42HES483130	PBLS42HES486330	PBLS42HES489430
Number of Phase		3		
Number of Poles		8		
Rated Voltage	VDC	48		
Rated Speed	Rpm	3000		
Rated Torque	N.m	0.1	0.2	0.3
Rated Power	W	31	63	94
Rated Current	A	0.87	1.74	2.61
Peak Current	A	2.6	5.2	7.8
Peak Torque	N.m	0.3	0.6	0.9
Rotor Inertia	kg.cm ²	0.039	0.045	0.052
Torque Constant	N.m/A	0.115	0.115	0.115
Torque Constant	V/krpm	12	12	12
Line-Line Resistance	Ω	1.9	1.4	0.8
Line-Line Inductance	mH	1.5	1.1	0.6
Length	mm	47	67	87
Weight	kg	0.4	0.9	1.0