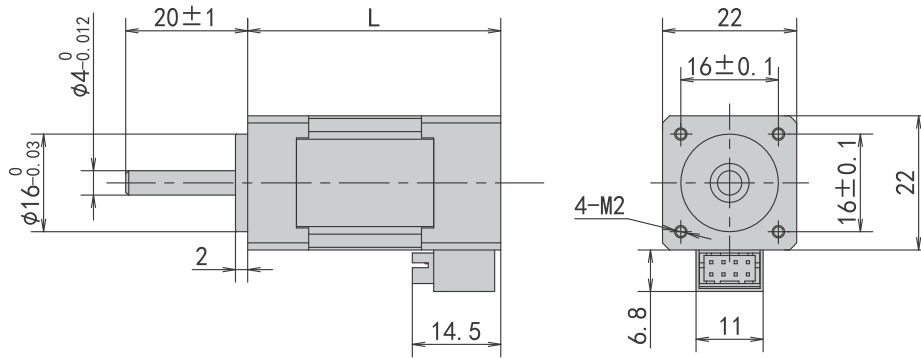


PBLS22HEL Series

Inner Rotor BLDC Motor



Options



General Specifications

Winding Type	Star/Delta
Hall Effect Angle	Electrical Angle of 120 degree
Radial Play	0.02mm@450g
Axial Play	0.08mm@450g
Max radial force	5N,10mm From the flange
Max axial force	2N
Dielectric Strength	360VAC/1S
Insulation Resistance	100M Ω ,500VDC
Ambient Temperature	-20°C~+50°C
Insulation Class	Class B

Wiring Connection

Type	Color	Function
UL1007 AWG28	Red	Vcc
	Yellow	Hu
	Green	Hv
	Blue	Hw
	Black	GND
UL1007 AWG26	Yellow	Phase U
	Green	Phase V
	Blue	Phase W

Motor Specifications

Motor Model	Unit	PBLS22HEL240440	PBLS22HEL240840	PBLS22HEL241240
Number of Phase		3		
Number of Poles		8		
Rated Voltage	VDC	24		
Rated Speed	Rpm	4000		
Rated Torque	N.m	0.01	0.02	0.03
Rated Power	W	4	8	12
Rated Current	A	0.2	0.4	0.6
Peak Current	A	0.6	1.2	1.8
Peak Torque	N.m	0.03	0.06	0.09
Rotor Inertia	kg.cm ²	0.01	0.02	0.03
Torque Constant	N.m/A	0.05	0.05	0.05
Torque Constant	V/krpm	4.5	4.5	4.5
Line-Line Resistance	Ω	2.1	3.2	3.9
Line-Line Inductance	mH	1.1	1.3	1.5
Length	mm	31.5	41.5	51.5
Weight	kg	0.2	0.3	0.4