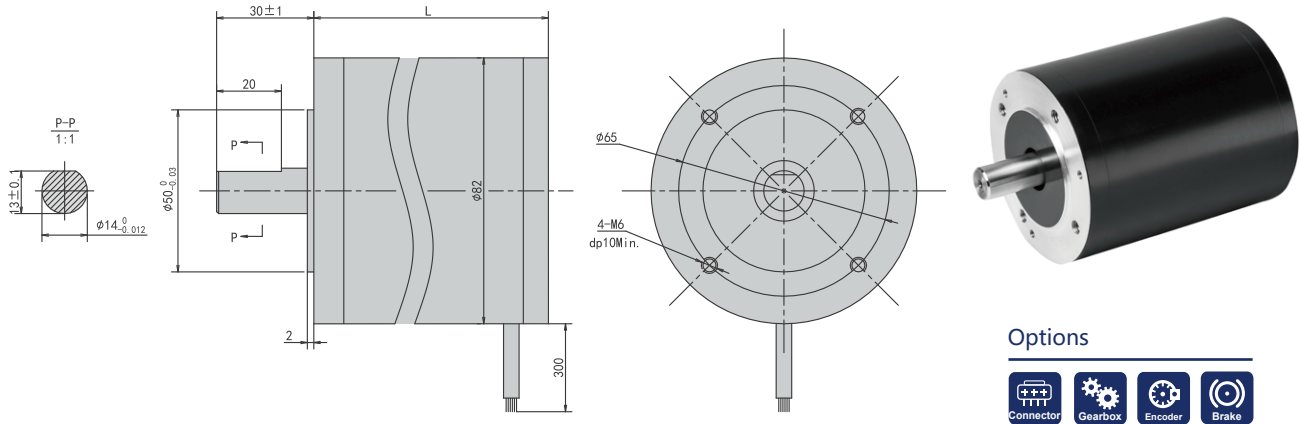


PBLR82HES Series

Inner Rotor BLDC Motor



General Specifications

Winding Type	Star/Delta
Hall Effect Angle	Electrical Angle of 120 degree
Radial Play	0.02mm@450g
Axial Play	0.08mm@450g
Max radial force	115N,10mm From the flange
Max axial force	45N
Dielectric Strength	600VAC/1S
Insulation Resistance	100MΩ,500VDC
Ambient Temperature	-20°C~+50°C
Insulation Class	Class B

Wiring Connection

Type	Color	Function
UL1007 AWG26	Red	Vcc
	Yellow	Hu
	Green	Hv
	Blue	Hw
	Black	GND
UL1007 AWG20	Yellow	Phase U
	Green	Phase V
	Blue	Phase W

Electrical Specifications

Motor Model	Unit	PBLR82HES489040	PBLR82HES482540
Number of Phase		3	
Number of Poles		8	
Rated Voltage	VDC	48	
Rated Speed	Rpm	3000	
Rated Torque	N.m	0.6	0.8
Rated Power	W	188	250
Rated Current	A	5.0	7.0
Peak Current	A	15.0	21.0
Peak Torque	N.m	1.8	2.4
Rotor Inertia	kg.cm ²	0.6	0.7
Torque Constant	N.m/A	0.12	0.11
Torque Constant	V/krpm	11	10.5
Line-Line Resistance	Ω	0.9	0.7
Line-Line Inductance	mH	0.7	0.5
Length	mm	80	90
Weight	kg	1.5	1.7