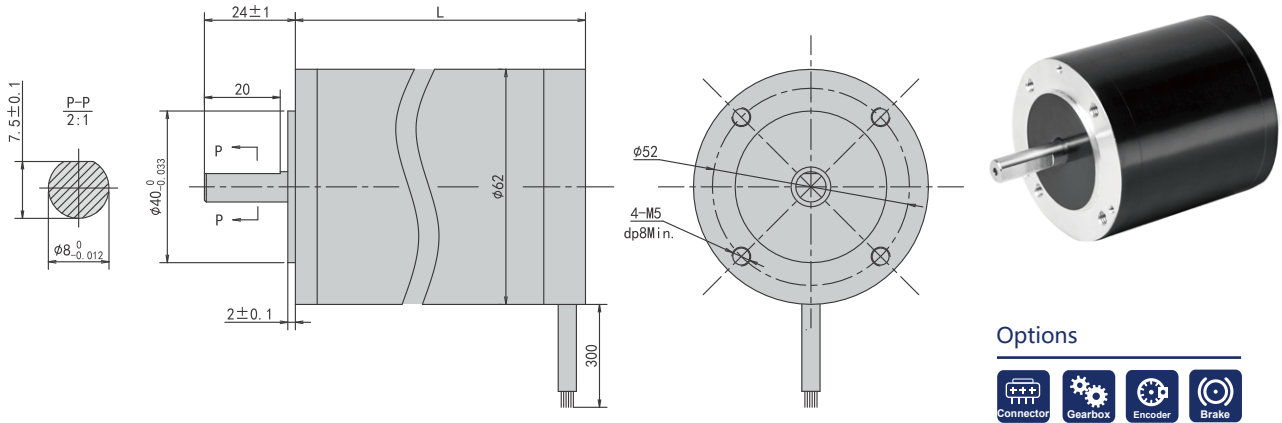


PBLR62HES Series

Inner Rotor BLDC Motor



Options



General Specifications

Winding Type	Star/Delta
Hall Effect Angle	Electrical Angle of 120 degree
Radial Play	0.02mm@450g
Axial Play	0.08mm@450g
Max radial force	75N,10mm From the flange
Max axial force	45N
Dielectric Strength	600VAC/1S
Insulation Resistance	100MΩ,500VDC
Ambient Temperature	-20°C~+50°C
Insulation Class	Class B

Wiring Connection

Type	Color	Function
UL1007 AWG26	Red	Vcc
	Yellow	Hu
	Green	Hv
	Blue	Hw
	Black	GND
UL1007 AWG20	Yellow	Phase U
	Green	Phase V
	Blue	Phase W

Electrical Specifications

Motor Model	Unit	PBLR62H8S 487830	PBLR62H8S 481130	PBLR62H8S 481530	PBLR62H8S 481930	PBLR62H8S 482330
Number of Phase		3				
Number of Poles		8				
Rated Voltage	VDC	48				
Rated Speed	Rpm	3000				
Rated Torque	N.m	0.25	0.37	0.5	0.62	0.75
Rated Power	W	78	118	156	195	235
Rated Current	A	2.2	3.3	4.4	5.5	6.6
Peak Current	A	6.6	9.9	13.2	16.5	19.8
Peak Torque	N.m	0.75	1.11	1.5	1.86	2.25
Rotor Inertia	kg.cm ²	0.6	0.7	0.8	0.9	1.0
Torque Constant	N.m/A	0.11	0.11	0.11	0.11	0.11
Torque Constant	V/krpm	10.5	10.5	10.5	10.5	10.5
Line-Line Resistance	Ω	1.8	1.5	1.2	0.9	0.6
Line-Line Inductance	mH	1.5	1.3	1.0	0.7	0.65
Length	mm	61	71	81	91	101
Weight	kg	0.72	0.88	1.04	1.2	1.37