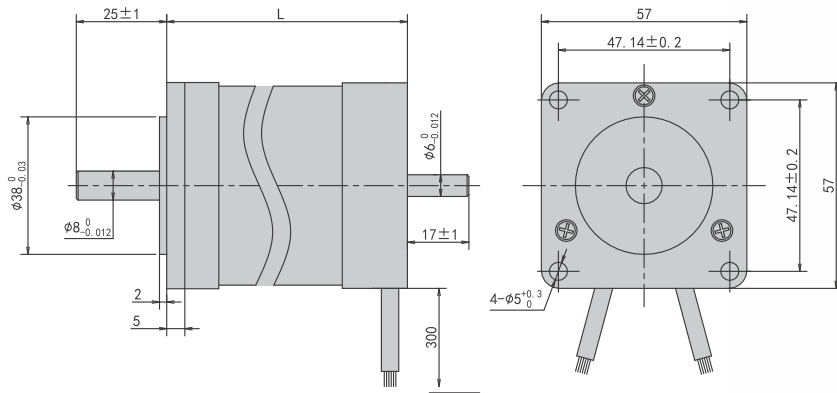


PBLR57HFS Series

Inner Rotor BLDC Motor



Options



General Specifications

Winding Type	Star/Delta
Hall Effect Angle	Electrical Angle of 120 degree
Radial Play	0.02mm@450g
Axial Play	0.08mm@450g
Max radial force	115N,10mm From the flange
Max axial force	45N
Dielectric Strength	600VAC/1S
Insulation Resistance	100MΩ,500VDC
Ambient Temperature	-20°C~+50°C
Insulation Class	Class B

Wiring Connection

Type	Color	Function
UL1007 AWG26	Red	Vcc
	Yellow	Hu
	Green	Hv
	Blue	Hw
	Black	GND
UL1007 AWG20	Yellow	Phase U
	Green	Phase V
	Blue	Phase W

Electrical Specifications

Motor Model	Unit	PBLR57HFS489040	PBLR57HFS481840	PBLR57HFS482740
Number of Phase		3		
Number of Poles		4		
Rated Voltage	VDC	48		
Rated Speed	Rpm	4000		
Rated Torque	N.m	0.22	0.44	0.66
Rated Power	W	92	184	276
Rated Current	A	2.5	5.1	7.6
Peak Current	A	7.7	15.3	22.8
Peak Torque	N.m	0.66	1.32	1.98
Rotor Inertia	kg.cm ²	1.19	1.73	1.73
Torque Constant	N.m/A	0.08	0.08	0.08
Torque Constant	V/krpm	9.2	9.2	9.2
Line-Line Resistance	Ω	0.75	0.55	0.41
Line-Line Inductance	mH	2.2	2.1	1.1
Length	mm	55	75	95
Weight	kg	0.72	0.95	1.2