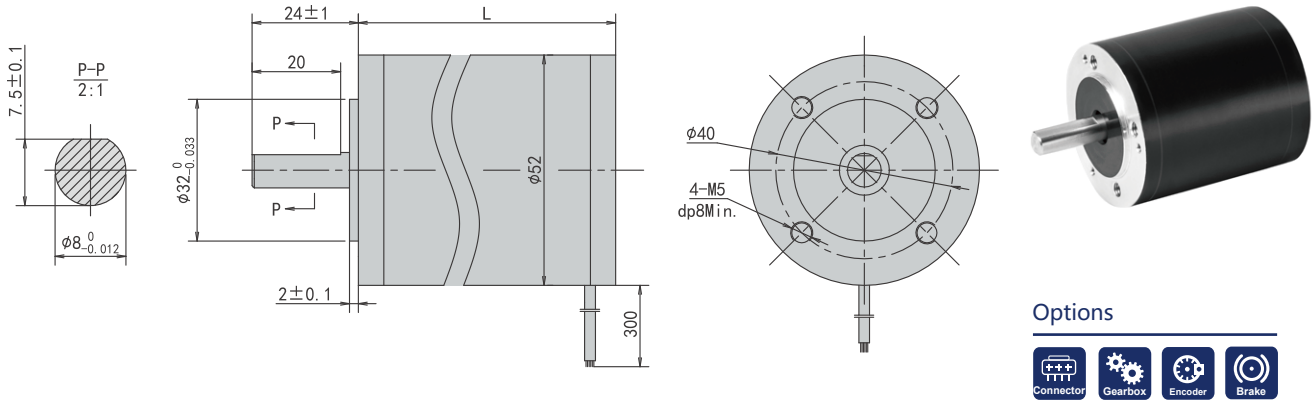


PBLR52HES Series

Inner Rotor BLDC Motor



Options



General Specifications

Winding Type	Star/Delta
Hall Effect Angle	Electrical Angle of 120 degree
Radial Play	0.02mm@450g
Axial Play	0.08mm@450g
Max radial force	75N,10mm From the flange
Max axial force	15N
Dielectric Strength	600VAC/1S
Insulation Resistance	100MΩ,500VDC
Ambient Temperature	-20°C~+50°C
Insulation Class	Class B

Wiring Connection

Type	Color	Function
UL1007 AWG26	Red	Vcc
	Yellow	Hu
	Green	Hv
	Blue	Hw
	Black	GND
UL1007 AWG22	Yellow	Phase U
	Green	Phase V
	Blue	Phase W

Electrical Specifications

Motor Model	Unit	PBLR52HES243030	PBLR52HES246030	PBLR52HES249030
Number of Phase		3		
Number of Poles		8		
Rated Voltage	VDC	24		
Rated Speed	Rpm	3000		
Rated Torque	N.m	0.1	0.2	0.3
Rated Power	W	31	63	94
Rated Current	A	1.8	3.6	5.4
Peak Current	A	5.4	10.8	16
Peak Torque	N.m	0.3	0.6	0.9
Rotor Inertia	kg.cm ²	0.55	0.75	0.95
Torque Constant	N.m/A	0.055	0.055	0.055
Torque Constant	V/krpm	5.82	5.81	5.81
Line-Line Resistance	Ω	3	1.5	0.6
Line-Line Inductance	mH	2.5	1.3	0.65
Length	mm	58.5	78.5	98.5
Weight	kg	0.38	0.88	1.37