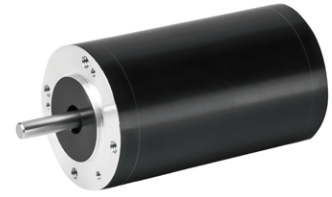
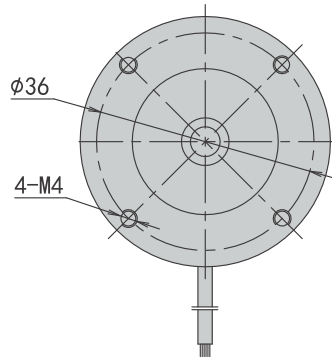
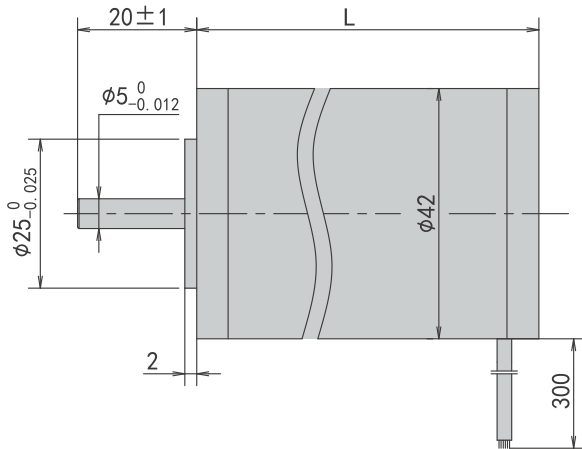


PBLR42HES Series

Inner Rotor BLDC Motor



Options



General Specifications

Winding Type	Star/Delta
Hall Effect Angle	Electrical Angle of 120 degree
Radial Play	0.02mm@450g
Axial Play	0.08mm@450g
Max radial force	15N,10mm From the flange
Max axial force	10N
Dielectric Strength	600VAC/1S
Insulation Resistance	100MΩ,500VDC
Ambient Temperature	-20°C~+50°C
Insulation Class	Class B

Wiring Connection

Type	Color	Function
UL1007 AWG26	Red	Vcc
	Yellow	Hu
	Green	Hv
	Blue	Hw
	Black	GND
UL1007 AWG22	Yellow	Phase U
	Green	Phase V
	Blue	Phase W

Motor Specifications

Motor Model	Unit	PBL42HES242830	PBLR42HES245630	PBLR42HES248430
Number of Phase		3		
Number of Poles		8		
Rated Voltage	VDC	24		
Rated Speed	Rpm	3000		
Rated Torque	N.m	0.09	0.18	0.27
Rated Power	W	28	56	84
Rated Current	A	1.7	3.4	5.4
Peak Current	A	5.1	10.2	16
Peak Torque	N.m	0.27	0.54	0.81
Rotor Inertia	kg.cm ²	0.25	0.35	0.45
Torque Constant	N.m/A	0.05	0.05	0.05
Torque Constant	V/krpm	5.23	5.23	5.23
Line-Line Resistance	Ω	6	4	3
Line-Line Inductance	mH	4	3	2
Length	mm	52	72	92
Weight	kg	0.28	0.48	0.68