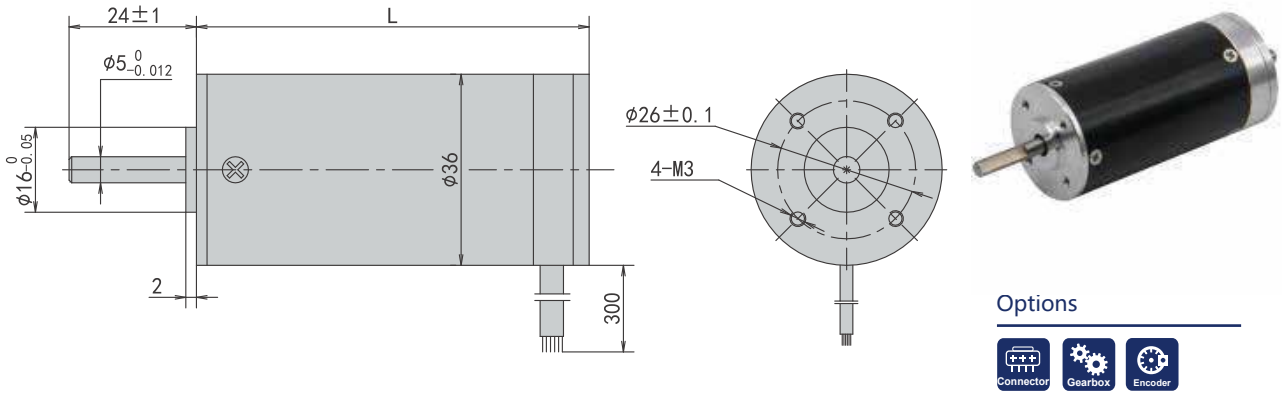


PBLR36HEL Series

Inner Rotor BLDC Motor



Options



General Specifications

Winding Type	Star/Delta
Hall Effect Angle	Electrical Angle of 120 degree
Radial Play	0.02mm@450g
Axial Play	0.08mm@450g
Max radial force	5N,10mm From the flange
Max axial force	10N
Dielectric Strength	600VAC/1S
Insulation Resistance	100MΩ,500VDC
Ambient Temperature	-20°C~+50°C
Insulation Class	Class B

Wiring Connection

Type	Color	Function
UL1007 AWG26	Red	Vcc
	Yellow	Hu
	Green	Hv
	Blue	Hw
	Black	GND
UL1007 AWG22	Yellow	Phase U
	Green	Phase V
	Blue	Phase W

Motor Specifications

Motor Model	Unit	PBLR36HEL241640	PBLR36HEL242540	PBLR36HEL243340
Number of Phase		3		
Number of Poles		8		
Rated Voltage	VDC	24		
Rated Speed	Rpm	4000		
Rated Torque	N.m	0.04	0.06	0.08
Rated Power	W	16.7	25	33.5
Rated Current	A	0.8	1.25	1.7
Peak Current	A	2.4	3.75	5.2
Peak Torque	N.m	0.12	0.18	0.24
Rotor Inertia	kg.cm ²	0.02	0.02	0.03
Torque Constant	N.m/A	0.05	0.05	0.05
Torque Constant	V/krpm	4.5	4.6	4.5
Line-Line Resistance	Ω	2.5	3.1	3.4
Line-Line Inductance	mH	1.1	1.2	1.3
Length	mm	54	64	74
Weight	kg	0.34	0.5	0.66