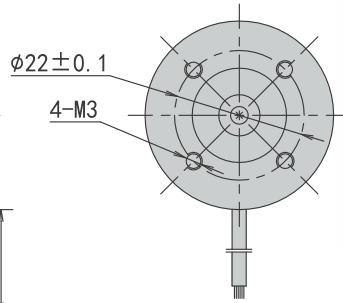
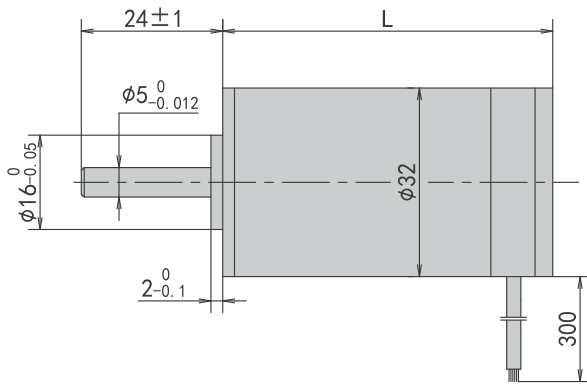


PBLR32HEL Series

Inner Rotor BLDC Motor



Options



General Specifications

Winding Type	Star/Delta
Hall Effect Angle	Electrical Angle of 120 degree
Radial Play	0.02mm@450g
Axial Play	0.08mm@450g
Max radial force	10N,10mm From the flange
Max axial force	2N
Dielectric Strength	600VAC/1S
Insulation Resistance	100M Ω ,500VDC
Ambient Temperature	-20°C~+50°C
Insulation Class	Class B

Wiring Connection

Type	Color	Function
UL1007 AWG26	Red	Vcc
	Yellow	Hu
	Green	Hv
	Blue	Hw
	Black	GND
UL1007 AWG26	Yellow	Phase U
	Green	Phase V
	Blue	Phase W

Motor Specifications

Motor Model	Unit	PBLR32HEL241240	PBLR32HEL241840	PBLR32HEL242540
Number of Phase		3		
Number of Poles		8		
Rated Voltage	VDC	24		
Rated Speed	Rpm	4000		
Rated Torque	N.m	0.03	0.045	0.06
Rated Power	W	12.5	18.8	25
Rated Current	A	0.7	0.9	1.3
Peak Current	A	2.1	2.7	3.9
Peak Torque	N.m	0.09	0.13	0.18
Rotor Inertia	kg.cm ²	0.01	0.02	0.03
Torque Constant	N.m/A	0.04	0.04	0.04
Torque Constant	V/krpm	4.48	5.23	4.18
Line-Line Resistance	Ω	1.9	2.5	3.4
Line-Line Inductance	mH	0.9	1.1	1.3
Length	mm	56	66	76
Weight	kg	0.22	0.38	0.55