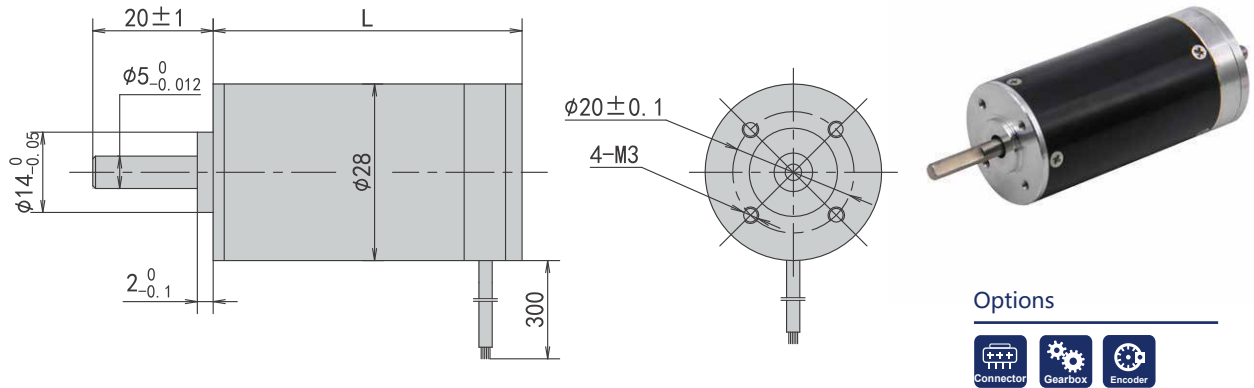


PBLR28HEL Series

Inner Rotor BLDC Motor



Options



General Specifications

Winding Type	Star/Delta
Hall Effect Angle	Electrical Angle of 120 degree
Radial Play	0.02mm@450g
Axial Play	0.08mm@450g
Max radial force	10N,10mm From the flange
Max axial force	2N
Dielectric Strength	600VAC/1S
Insulation Resistance	100MΩ,500VDC
Ambient Temperature	-20°C~+50°C
Insulation Class	Class B

Wiring Connection

Type	Color	Function
UL1007 AWG26	Red	Vcc
	Yellow	Hu
	Green	Hv
	Blue	Hw
	Black	GND
UL1007 AWG26	Yellow	Phase U
	Green	Phase V
	Blue	Phase W

Motor Specifications

Motor Model	Unit	PBLR28HEL240840	PBLR28HEL241240	PBLR28HEL241640
Number of Phase		3		
Number of Poles		8		
Rated Voltage	VDC	24		
Rated Speed	Rpm	4000		
Rated Torque	N.m	0.02	0.03	0.04
Rated Power	W	8	12.5	16.7
Rated Current	A	0.4	0.6	0.8
Peak Current	A	1.2	1.8	2.4
Peak Torque	N.m	0.06	0.09	0.12
Rotor Inertia	kg.cm ²	0.009	0.018	0.025
Torque Constant	N.m/A	0.05	0.05	0.05
Torque Constant	V/krpm	4.48	5.23	4.18
Line-Line Resistance	Ω	1.9	2.5	3.4
Line-Line Inductance	mH	0.9	1.1	1.3
Length	mm	49	59	69
Weight	kg	0.2	0.3	0.5