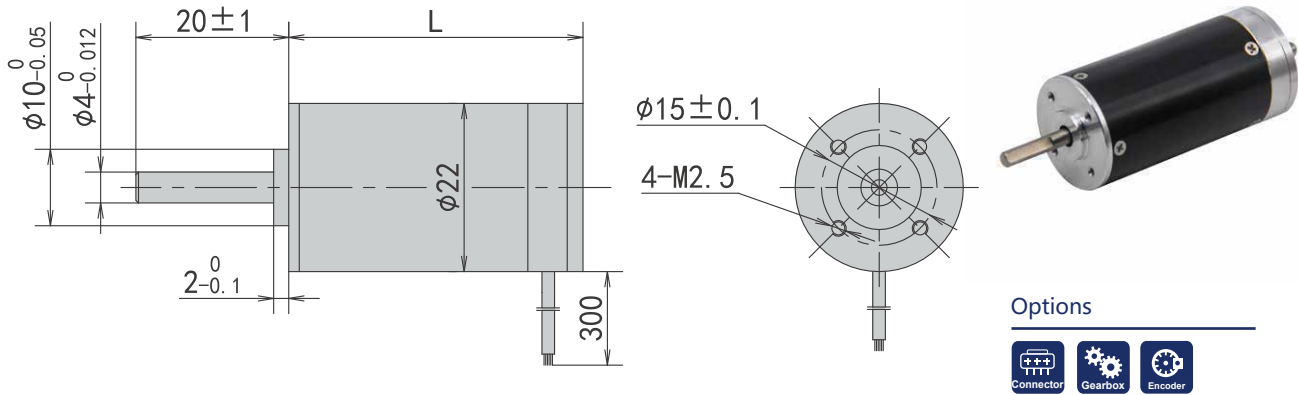


PBLR22HEL Series

Inner Rotor BLDC Motor



Options



General Specifications

Winding Type	Star/Delta
Hall Effect Angle	Electrical Angle of 120 degree
Radial Play	0.02mm@450g
Axial Play	0.08mm@450g
Max radial force	5N,10mm From the flange
Max axial force	2N
Dielectric Strength	360VAC/1S
Insulation Resistance	100M Ω ,500VDC
Ambient Temperature	-20°C~+50°C
Insulation Class	Class B

Wiring Connection

Type	Color	Function
UL1007 AWG28	Red	Vcc
	Yellow	Hu
	Green	Hv
	Blue	Hw
	Black	GND
UL1007 AWG26	Yellow	Phase U
	Green	Phase V
	Blue	Phase W

Motor Specifications

Motor Model	Unit	PBLR22HEL240340	PBLR22HEL240640	PBLR22HEL240940
Number of Phase		3		
Number of Poles		8		
Rated Voltage	VDC	24		
Rated Speed	Rpm	4000		
Rated Torque	N.m	0.0075	0.015	0.0225
Rated Power	W	3	6	9
Rated Current	A	0.2	0.4	0.6
Peak Current	A	0.6	1.2	1.8
Peak Torque	N.m	0.0225	0.045	0.0675
Rotor Inertia	kg.cm ²	0.008	0.014	0.02
Torque Constant	N.m/A	0.04	0.04	0.04
Torque Constant	V/krpm	4.48	5.23	4.18
Line-Line Resistance	Ω	1.9	2.5	3.4
Line-Line Inductance	mH	0.9	1.1	1.3
Length	mm	34	44	54
Weight	kg	0.2	0.3	0.4