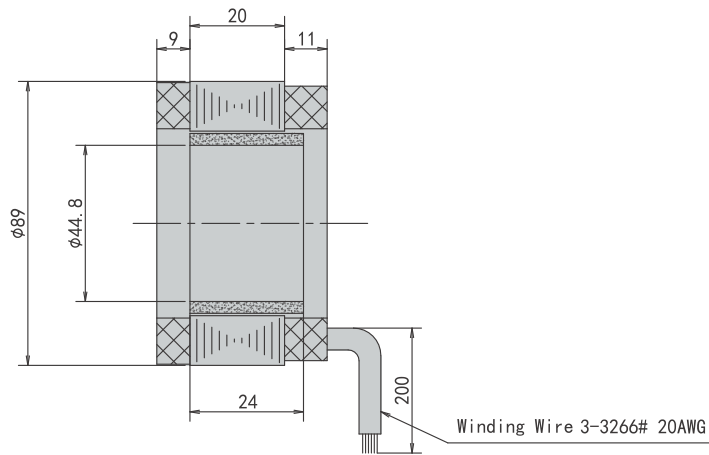


# PBLR89FHS Series

## Frameless Brushless DC Motor



### General Specifications

Winding Type	Star/Delta
Dielectric Strength	600VAC/1S
Insulation Resistance	100M $\Omega$ ,500VDC
Ambient Temperature	-20°C~+50°C
Insulation Class	Class B

### Electrical Specifications

Motor Model	Unit	PBLR89FHS484730
Number of Phase		3
Number of Poles		16
Rated Voltage	VDC	48
Rated Speed	Rpm	3000
Rated Torque	N.m	1.5
Rated Power	W	470
Rated Current	A	13.1
Peak Current	A	39.3
Peak Torque	N.m	4.5
Rotor Inertia	kg.cm <sup>2</sup>	0.41
Torque Constant	N.m/A	0.11
Torque Constant	V/krpm	10.5
Line-Line Resistance	$\Omega$	0.6
Line-Line Inductance	mH	1.1
Length	mm	20
Weight	kg	1.0