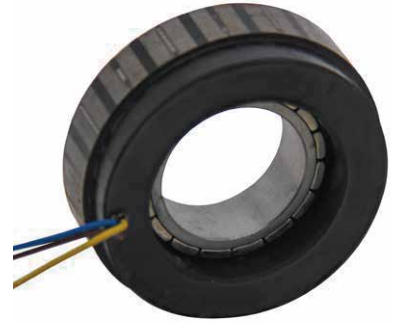
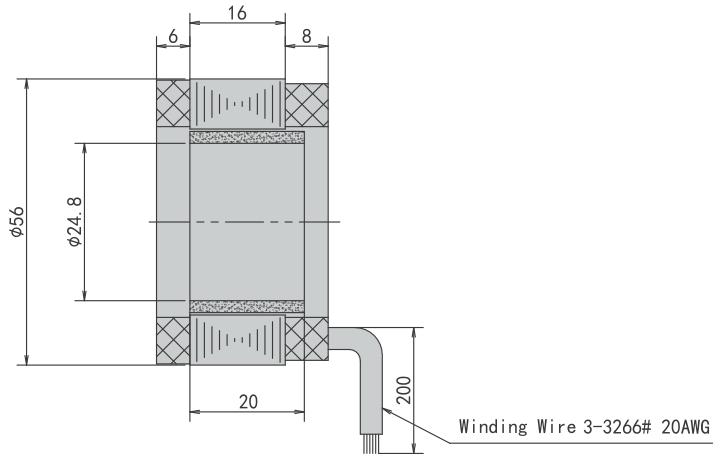


PBLR56FHS Series

Frameless Brushless DC Motor



General Specifications

Winding Type	Star/Delta
Dielectric Strength	600VAC/1S
Insulation Resistance	100M Ω ,500VDC
Ambient Temperature	-20°C ~ +50°C
Insulation Class	Class B

Electrical Specifications

Motor Model	Unit	PBLR56FHS489030
Number of Phase		3
Number of Poles		16
Rated Voltage	VDC	48
Rated Speed	Rpm	3000
Rated Torque	N.m	0.3
Rated Power	W	95
Rated Current	A	2.9
Peak Current	A	8.7
Peak Torque	N.m	0.9
Rotor Inertia	kg.cm ²	0.15
Torque Constant	N.m/A	0.1
Torque Constant	V/krpm	9.5
Line-Line Resistance	Ω	1.5
Line-Line Inductance	mH	2.1
Length	mm	16
Weight	kg	0.5