

Ø42mm Precision Type

PM Stepper Gear Motor

PPMG42P Series

Key Features

- Small Size
- Smooth Movement
- Low Inertia

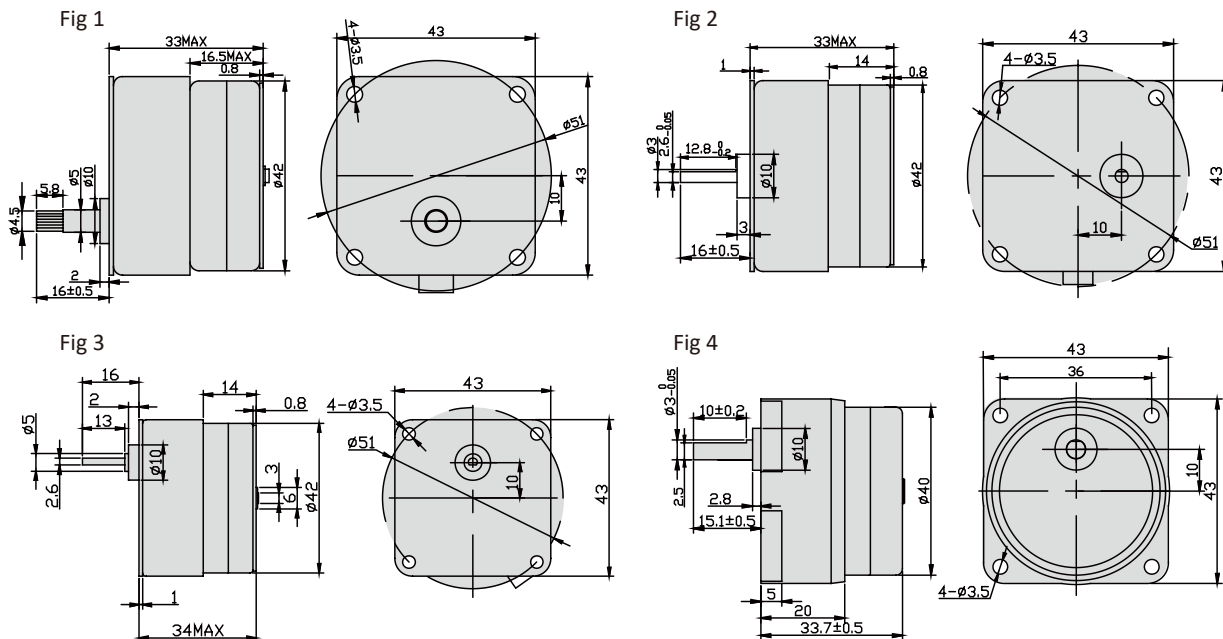


Step Angle Accuracy	±8%
Resistance Accuracy	±10%
Inductance Accuracy	±20%
Ambient Temperature	-10°C ~ 50°C
Insulation Resistance	100 MΩ Min.(At 500VDC)
Dielectric Strength	RMS for 2 Sec(At 650±50VAC)
Insulation Class	Class E

Specifications

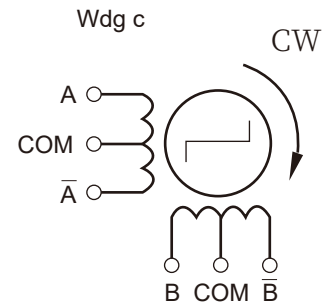
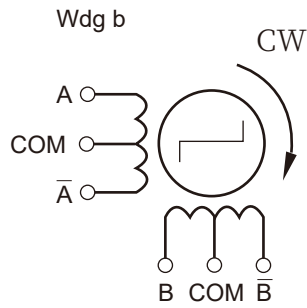
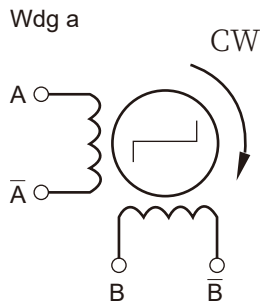
Series	Model Number	Voltage	Rated Current	Resistance per phase	No-load Starting Freq	Detent Torque	Rotor Inertia	Wiring Diagram	Gear Ratio	No. of Phase	Step Angle
		V/Ø	A	ohm	pps	g.cm/pps	g.cm	Wdg			
PPMG42P24	PPMG42P24-27	12	0.445	27	380	1600/200	113000	b	1:24	4	7.5/24
	PPMG42P24-54	12	0.222	54	280	1200/200	10000	a	1:24	2	7.5/24
PPMG42P25	PPMG42P25-08	24	0.08	300	260	1000/100	10000	b	1:25	4	7.5/25
PPMG42P30	PPMG42P30-66	12	0.182	66	240	1700/100	5000	c	1:30	4	15/30

Typical Outline



PPMG42P Series

● Wiring Diagram



- 2Phase Hybrid Stepper Motor
- 3Phase Hybrid Stepper Motor
- 5Phase Hybrid Stepper Motor
- Hybrid Stepper Gear Motor
- Lead Screw Linear Actuator
- Ball Screw Linear Actuator
- IP65 Stepper Motor
- Hollow Shaft Stepper Motor
- Stepper Motor With Brake
- Pancake Stepper Motor
- PM Stepper Motor
- Can-Stack Stepper Linear Actuator
- PM Stepper Gear Motor
- Stepper Motor Drive