

Dia.36mm

PM Linear Actuator

PPML36 Series

Ambient Temperature	-10 °C ~ +50 °C
Dielectric Strength	500 VAC for one minute
Insulation Resistance	Class B



Motor Specs

36mmFrame				
Model	PPML36□19-4S05	PPML36□19-4S12	PPML36□19-4T05	PPML36□19-4T12
Polarity	Bi-polar			
Linear actuator type	Captive, Non-captive, External			
Step angle	7.5°		15°	
Winding	5V	12V	5V	12V
Phase current	560mA	230mA	560mA	230mA
Phase resistance	9Ω	52Ω	9Ω	52Ω
Phase inductance	11.5mH	72mH	8mH	56mH
Power consumption	5.6W			
Rotor inertia	8.5gcm ²			
Insulation class	B			
Insulation resistance	100MΩ			
Mass	12g			
Bearing	Ball Bearing			

Travel Per Step And Lead Screw Code

Step Angle	Lead Code	Screw Dia.		Screw Lead		Travel/Step	
		inch	mm	inch	mm	inch	mm
7.5°	AA	0.25	6.35	0.024	0.6096	0.0005	0.0127
	B	0.25	6.35	0.048	1.2192	0.0010	0.0254
	J	0.25	6.35	0.096	2.4384	0.0020	0.0508
15°	AA	0.25	6.35	0.024	0.6096	0.0010	0.0254
	B	0.25	6.35	0.048	1.2192	0.0020	0.0508
	J	0.25	6.35	0.096	2.4384	0.0040	0.1016

2Phase Hybrid Stepper Motor

3Phase Hybrid Stepper Motor

5Phase Hybrid Stepper Motor

Hybrid Stepper Gear Motor

Lead Screw Linear Actuator

Ball Screw Linear Actuator

IP65 Stepper Motor

Hollow Shaft Stepper Motor

Stepper Motor With Brake

Pancake Stepper Motor

PM Stepper Motor

Can-Stack Stepper Linear Actuator

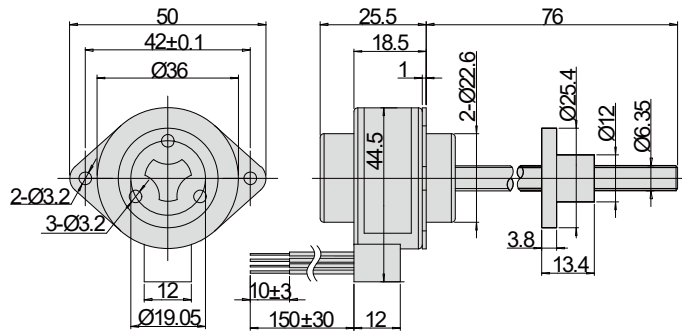
PM Stepper Gear Motor

Stepper Motor Drive

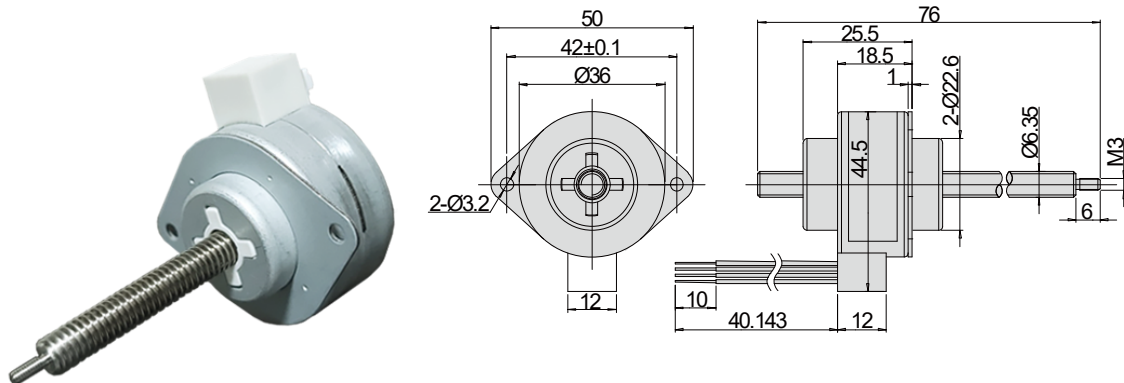
PPML36 Series

Typical Dimension

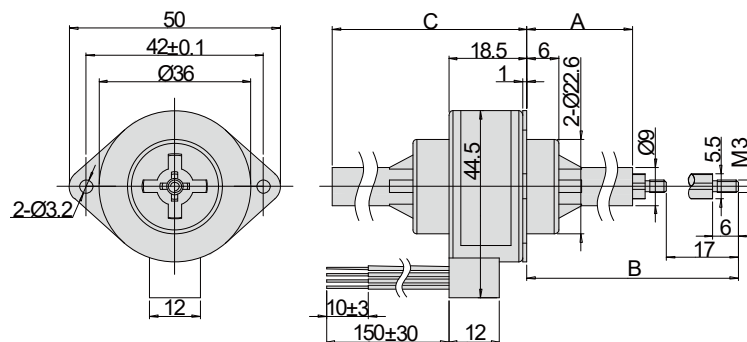
External



Non-captive



Captive

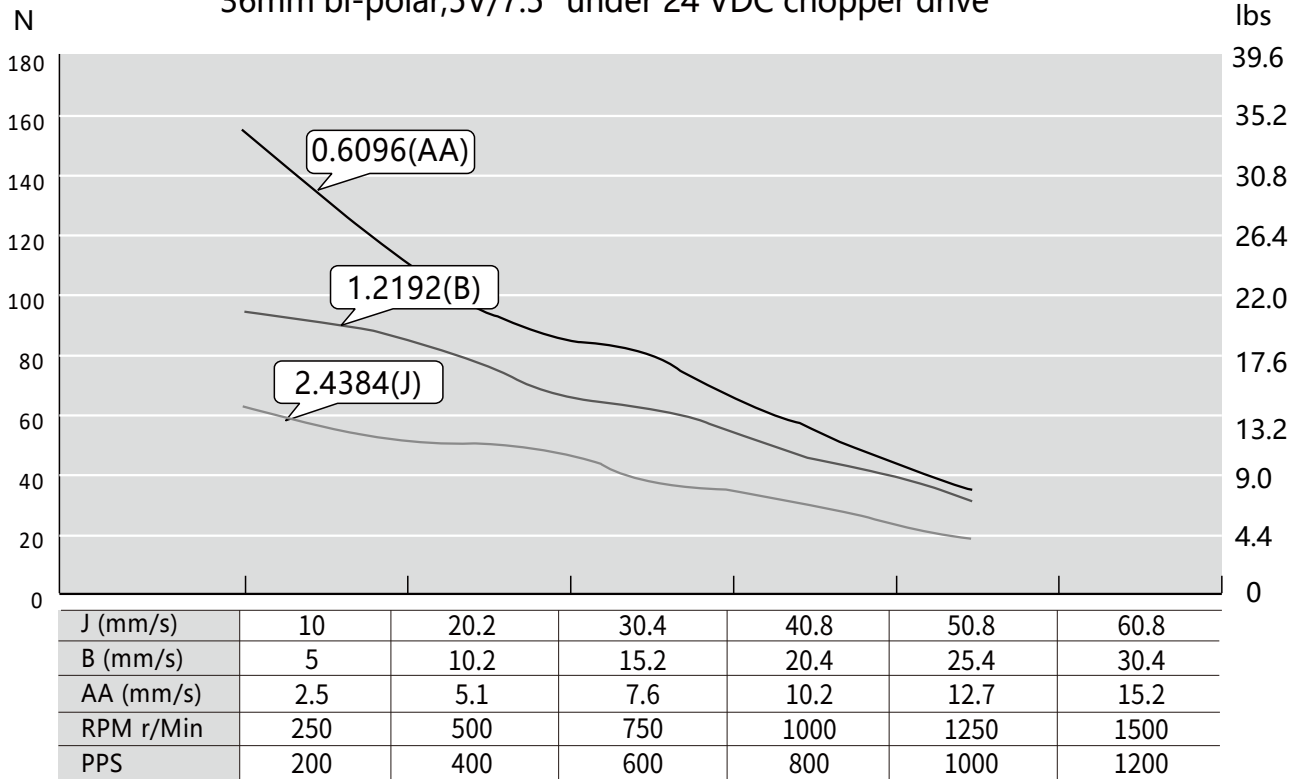


Stroke X	Front extension A	Rear extension B	Body length C (MAX)
16	12 \pm 0.25	41	31.5
25	21 \pm 0.25	59	40.5
38	34 \pm 0.25	85	53.5

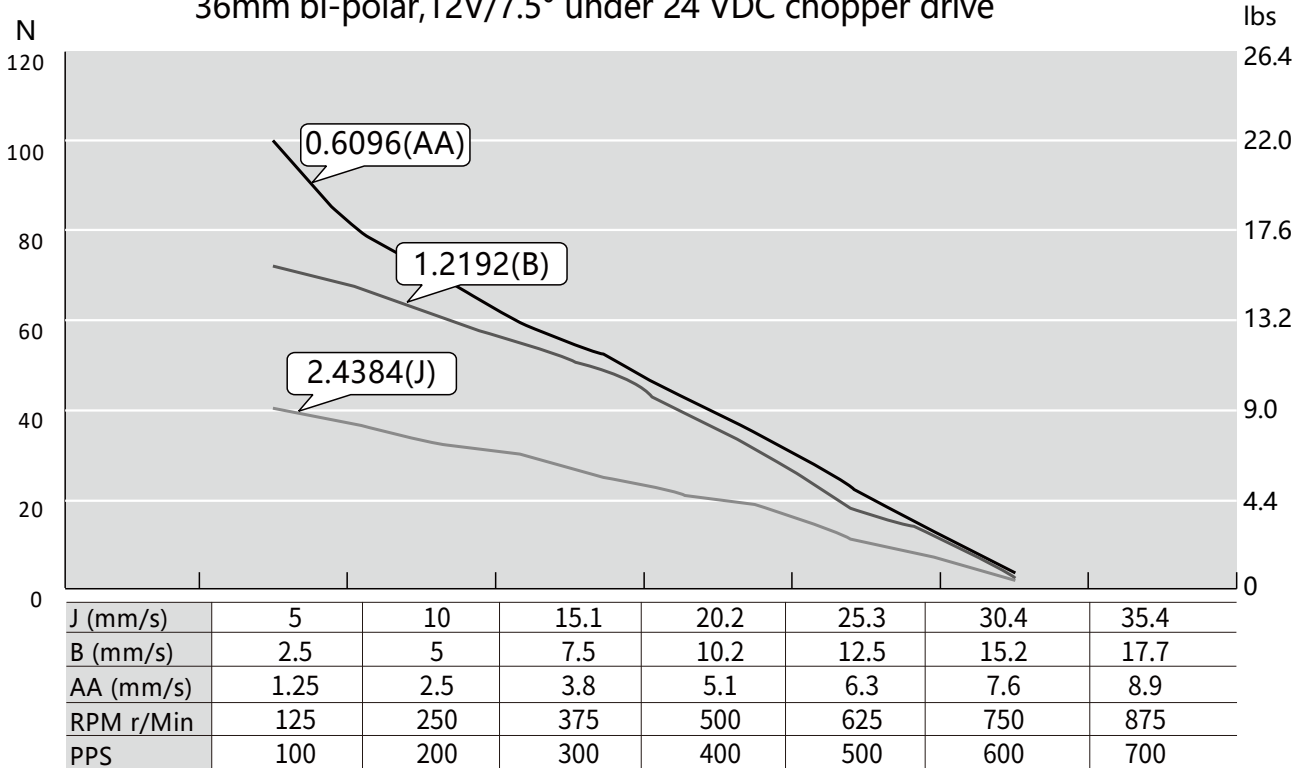
PPML36 Series

Speed Thrust Curves

36mm bi-polar, 5V/7.5° under 24 VDC chopper drive

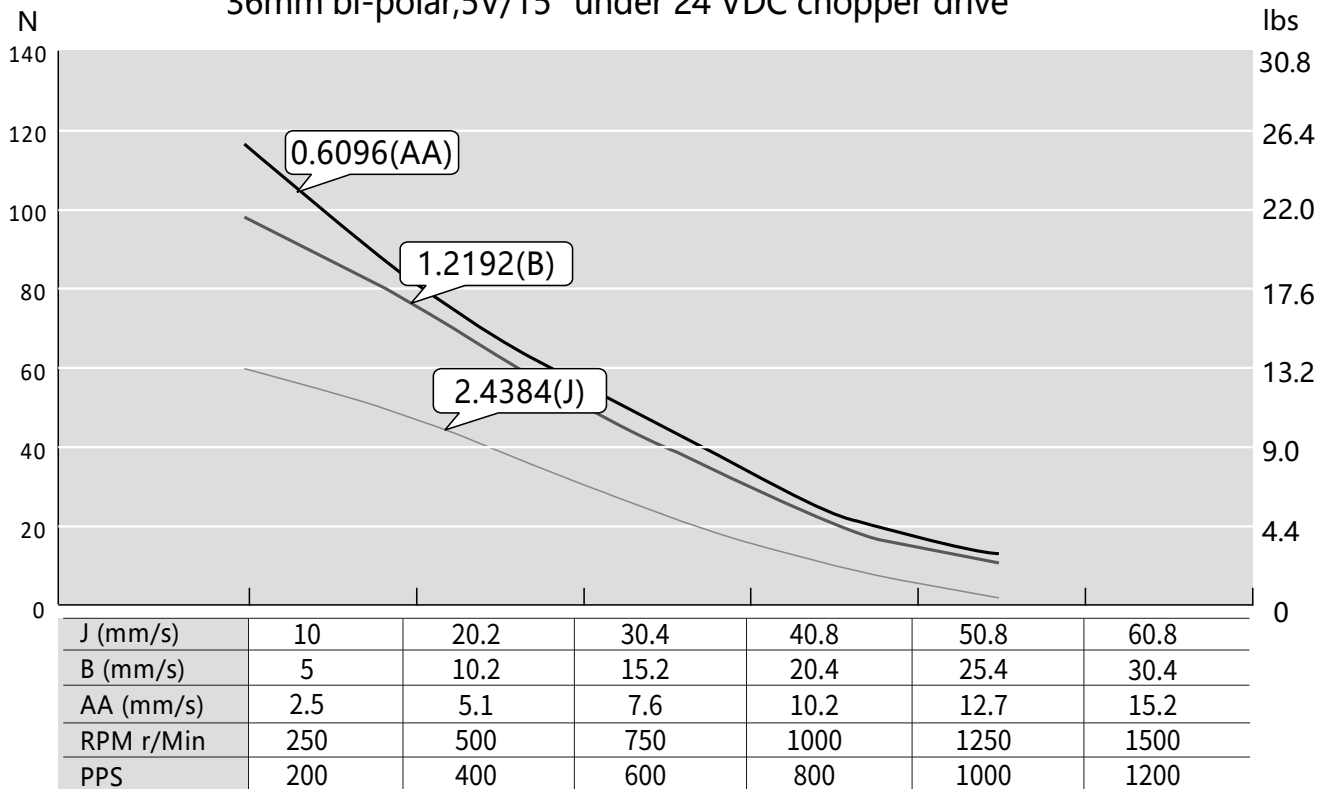


36mm bi-polar, 12V/7.5° under 24 VDC chopper drive



PPML36 Series

36mm bi-polar, 5V/15° under 24 VDC chopper drive



36mm bi-polar, 12V/15° under 24 VDC chopper drive

