

Dia.25mm

PM Linear Actuator

PPML25 Series

Ambient Temperature	-10 °C ~ +50 °C
Dielectric Strength	500 VAC for one minute
Insulation Resistance	Class B



Motor Specs

25mm Frame				
Model	PPML25□16-4S05	PPML25□16-4S12	PPML25□16-4T05	PPML25□16-4T12
Polarity	Bi-polar			
Linear actuator type	Captive, Non-captive, External			
Step angle	7.5°		15°	
Winding	5V	12V	5V	12V
Phase current	370mA	160mA	370mA	160mA
Phase resistance	13.5Ω	70Ω	13.5Ω	70Ω
Phase inductance	12.5mH	65mH	9.5mH	47mH
Power consumption	3.85W			
Rotor inertia	1.08gcm ²			
Insulation class	B			
Insulation resistance	100MΩ			
Mass	50g			
Bearing	Ball Bearing			

Note:Non-captive type(N),External type(E)or Captive type(C)is available,and please specify it with the blank box when ordering.

Travel Per Step And Lead Screw Code

Step Angle	Lead Code	Screw Dia.		Screw Lead		Travel/Step	
		inch	mm	inch	mm	inch	mm
7.5°	AA	0.138	3.5052	0.024	0.6096	0.0005	0.0127
	B	0.138	3.5052	0.048	1.2192	0.0010	0.0254
	J	0.138	3.5052	0.096	2.4384	0.0020	0.0508
15°	AA	0.138	3.5052	0.024	0.6096	0.0010	0.0254
	B	0.138	3.5052	0.048	1.2192	0.0020	0.0508
	J	0.138	3.5052	0.096	2.4384	0.0040	0.1016

PRIMOPAL

2Phase Hybrid Stepper Motor

3Phase Hybrid Stepper Motor

5Phase Hybrid Stepper Motor

Hybrid Stepper Gear Motor

Lead Screw Linear Actuator

Ball Screw Linear Actuator

IP65 Stepper Motor

Hollow Shaft Stepper Motor

Stepper Motor With Brake

Pancake Stepper Motor

PM Stepper Motor

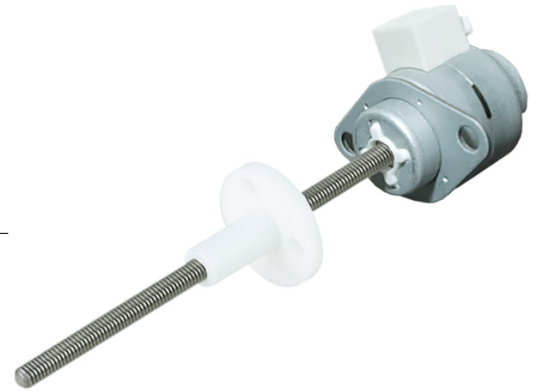
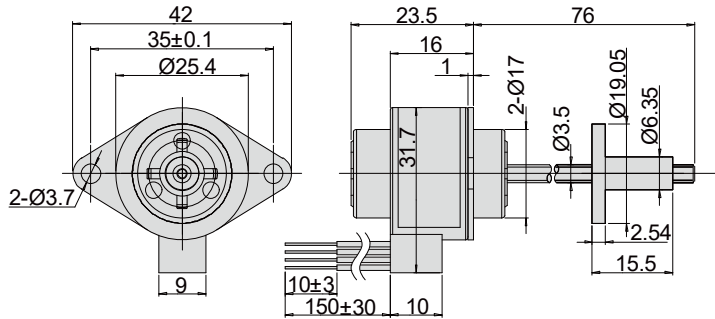
Can-Stack Stepper Linear Actuator

PM Stepper Gear Motor

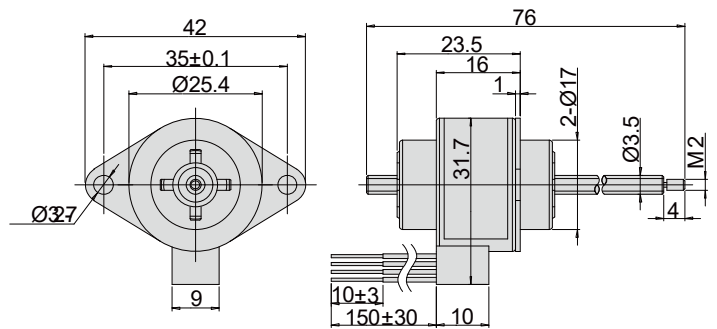
Stepper Motor Drive

PPML25 Series

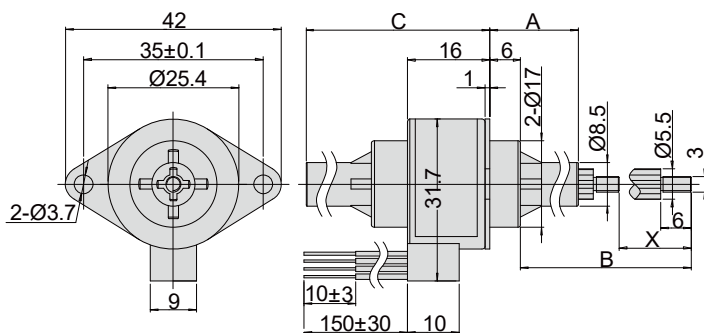
■ Typical Dimension
External



Non-captive



Captive

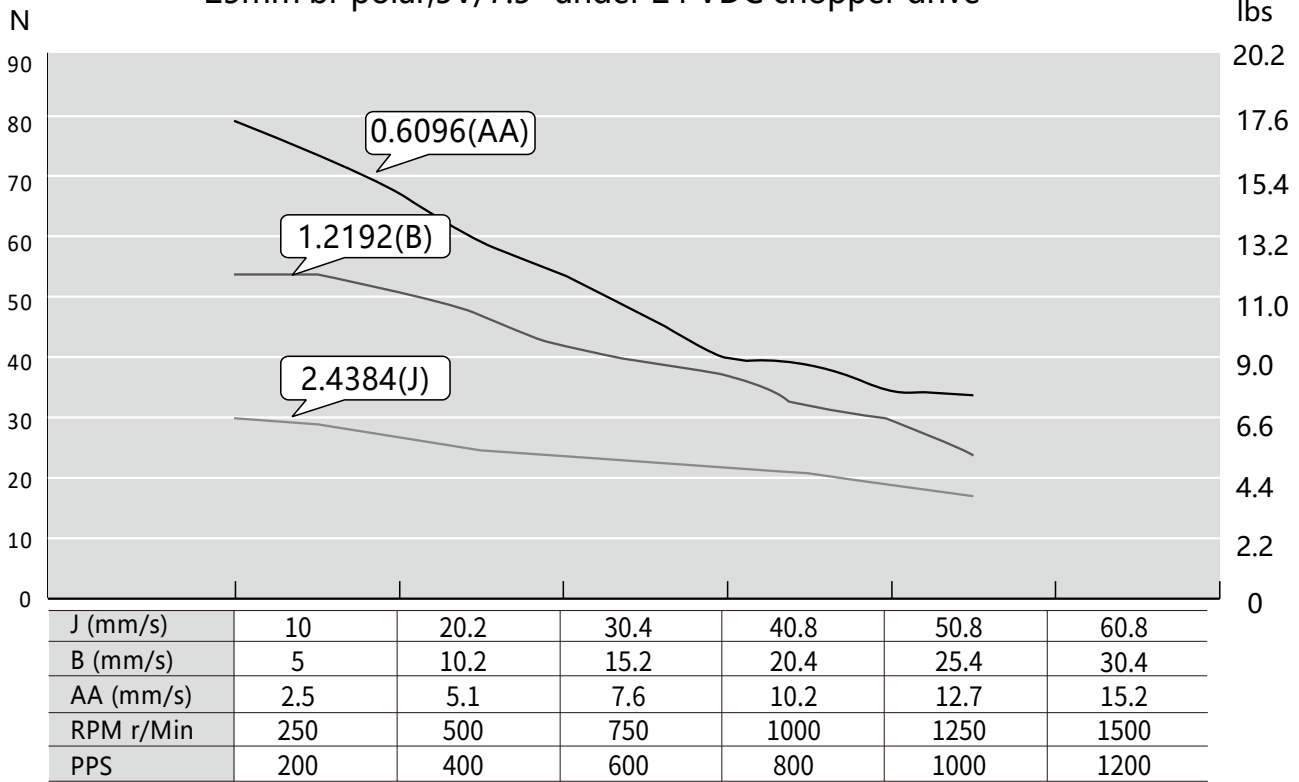


Stroke X	Front extension A	Rear extension B	Body length C (MAX)
13	10.5±0.25	36.5	27.5
18	15.5±0.25	46.5	32.5
25	22.5±0.25	60.5	39.5
31	28.5±0.25	72.5	45.5

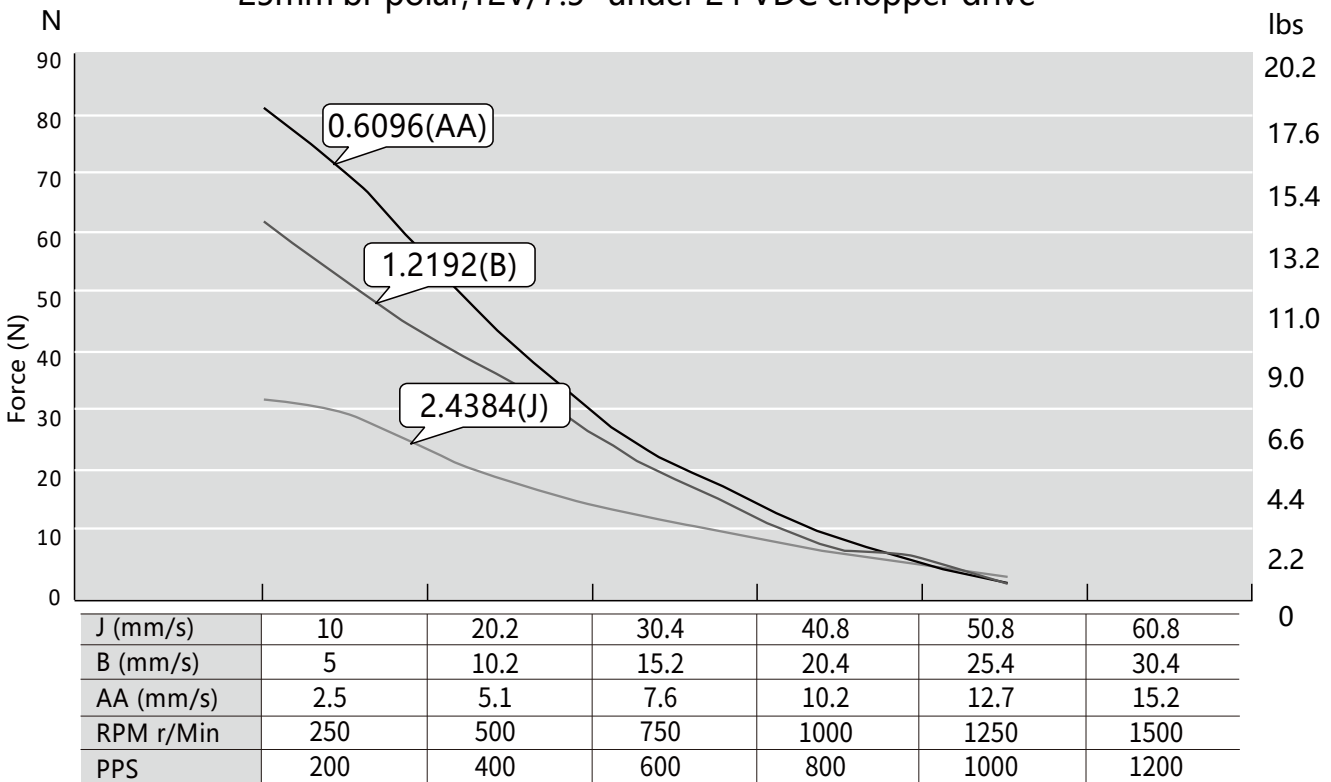
PPML25 Series

Speed Thrust Curves

25mm bi-polar, 5V/7.5° under 24 VDC chopper drive



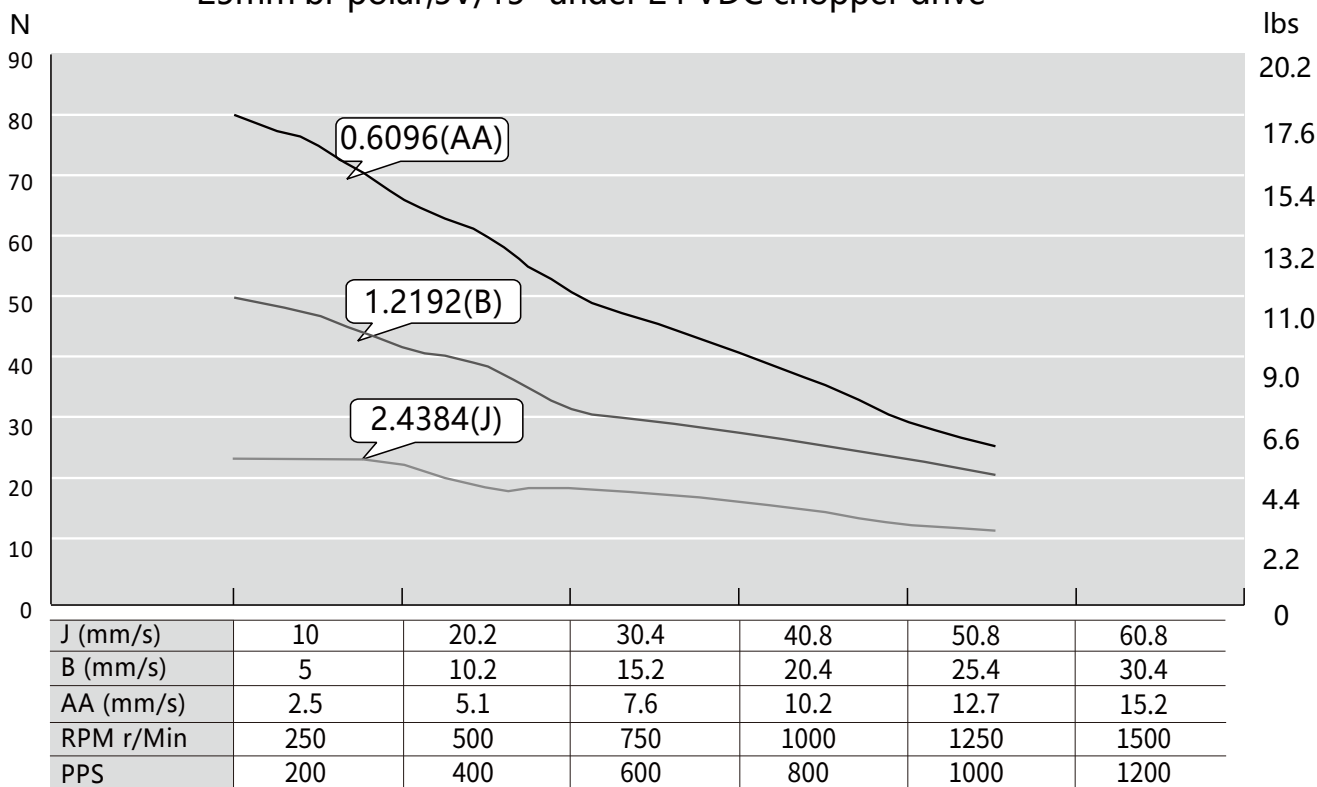
25mm bi-polar, 12V/7.5° under 24 VDC chopper drive



- 2Phase Hybrid Stepper Motor
- 3Phase Hybrid Stepper Motor
- 5Phase Hybrid Stepper Motor
- Hybrid Stepper Gear Motor
- Lead Screw Linear Actuator
- Ball Screw Linear Actuator
- IP65 Stepper Motor
- Hollow Shaft Stepper Motor
- Stepper Motor With Brake
- Pancake Stepper Motor
- PM Stepper Motor
- Can-Stack Stepper Linear Actuator
- PM Stepper Gear Motor
- Stepper Motor Drive

PPML25 Series

25mm bi-polar, 5V/15° under 24 VDC chopper drive



25mm bi-polar, 12V/15° under 24 VDC chopper drive

