

Dia.20mm

Can-Stack Stepper Linear Actuator

PPML20 Series

Ambient Temperature	-10 °C ~ +50 °C
Dielectric Strength	500 VAC for one minute
Insulation Resistance	Class B



Model

Motor Specs

20mm Frame				
Model	PPML20□16-4S05	PPML20□16-4S12	PPML20□16-4T05	PPML20□16-4T12
Polarity	Bi-polar			
Linear actuator type	Captive, Non-captive, External			
Step angle	7.5°		15°	
Winding	5V	12V	5V	12V
Phase current	370mA	160mA	370mA	160mA
Phase resistance	13.5Ω	74.5Ω	13.5Ω	76Ω
Phase inductance	6.5mH	36mH	4mH	25mH
Power consumption	3.4W			
Rotor inertia	1.05gcm <sup>2</sup>			
Insulation class	B			
Insulation resistance	100MΩ			
Mass	35g			
Bearing	Ball Bearing			

Note:Non-captive type(N),External type(E)or Captive type(C)is available,and please specify it with the blank box when ordering.

Travel Per Step And Lead Screw Code

Step Angle	Lead Code	Screw Dia.		Screw Lead		Travel/Step	
		inch	mm	inch	mm	inch	mm
7.5°	AA	0.138	3.5052	0.024	0.6096	0.0005	0.0127
	B	0.138	3.5052	0.048	1.2192	0.0010	0.0254
	J	0.138	3.5052	0.096	2.4384	0.0020	0.0508
15°	AA	0.138	3.5052	0.024	0.6096	0.0010	0.0254
	B	0.138	3.5052	0.048	1.2192	0.0020	0.0508
	J	0.138	3.5052	0.096	2.4384	0.0040	0.1016

2Phase Hybrid Stepper Motor

3Phase Hybrid Stepper Motor

5Phase Hybrid Stepper Motor

Hybrid Stepper Gear Motor

Lead Screw Linear Actuator

Ball Screw Linear Actuator

IP65 Stepper Motor

Hollow Shaft Stepper Motor

Stepper Motor With Brake

Pancake Stepper Motor

PM Stepper Motor

Can-Stack Stepper Linear Actuator

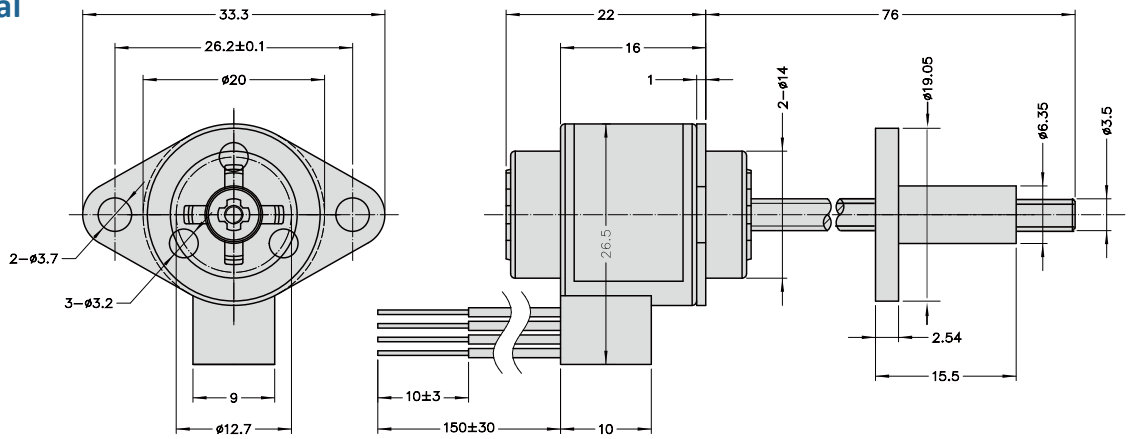
PM Stepper Gear Motor

Stepper Motor Drive

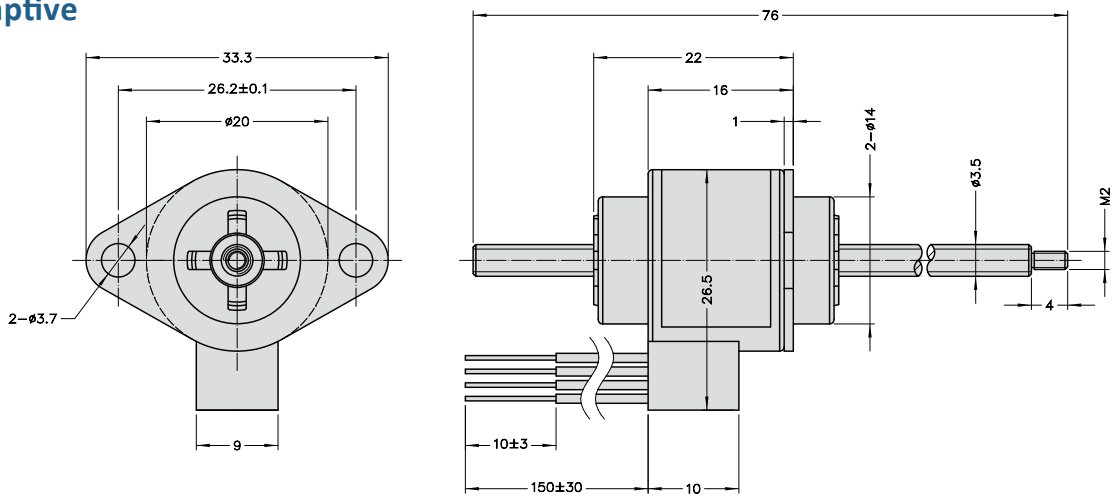
PPML20 Series

Dimensional Drawings

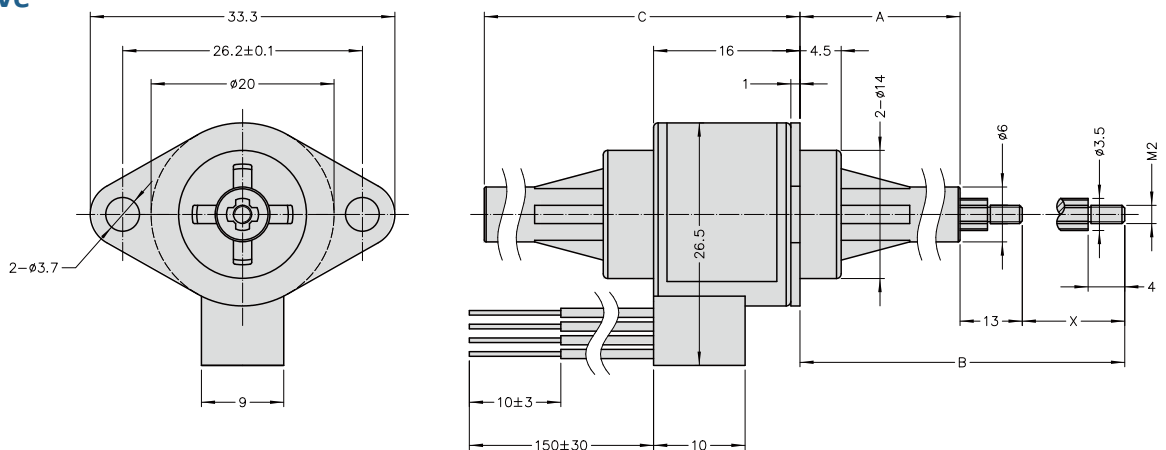
External



Non-captive



Captive

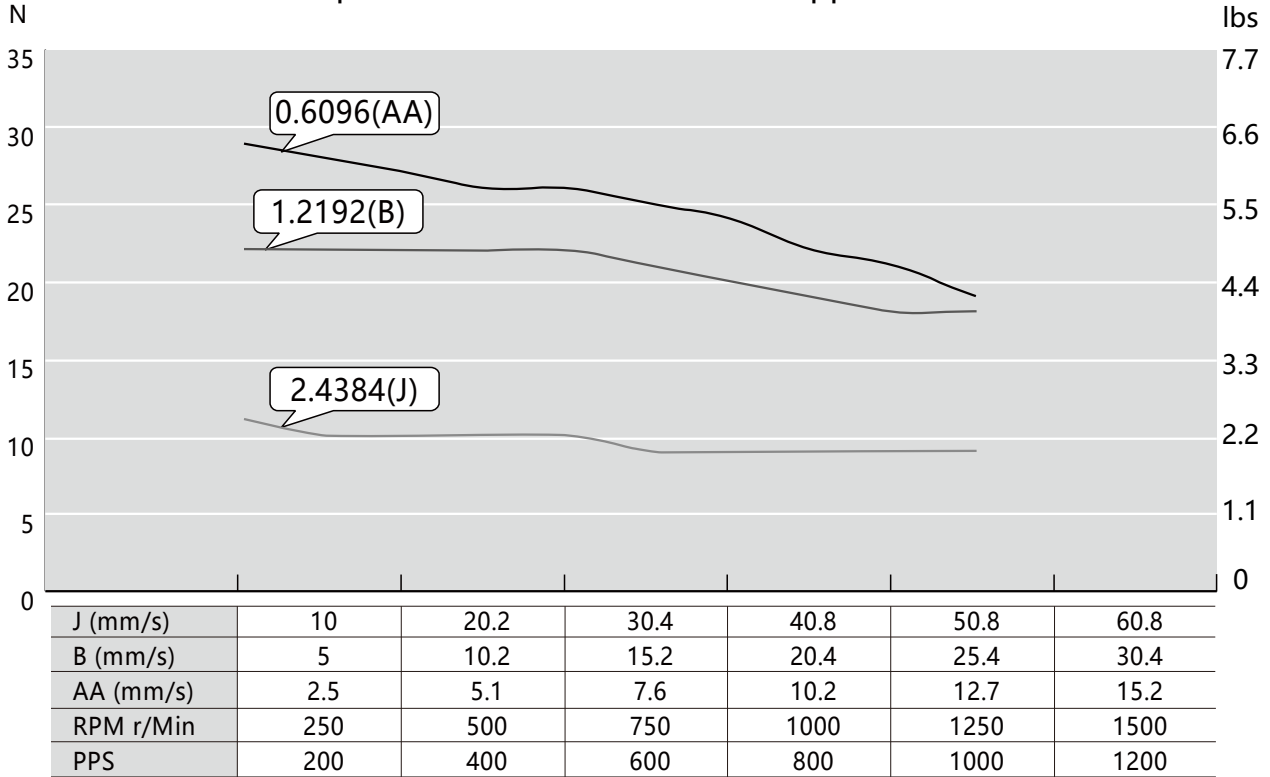


Stroke X	Front extension A	Rear extension B	Body length C (MAX)
13	13.5±0.25	40.5	30.5
18	17.5±0.25	48.5	34.5
25	24.5±0.25	62.5	41.5
31	30.5±0.25	74.5	47.5

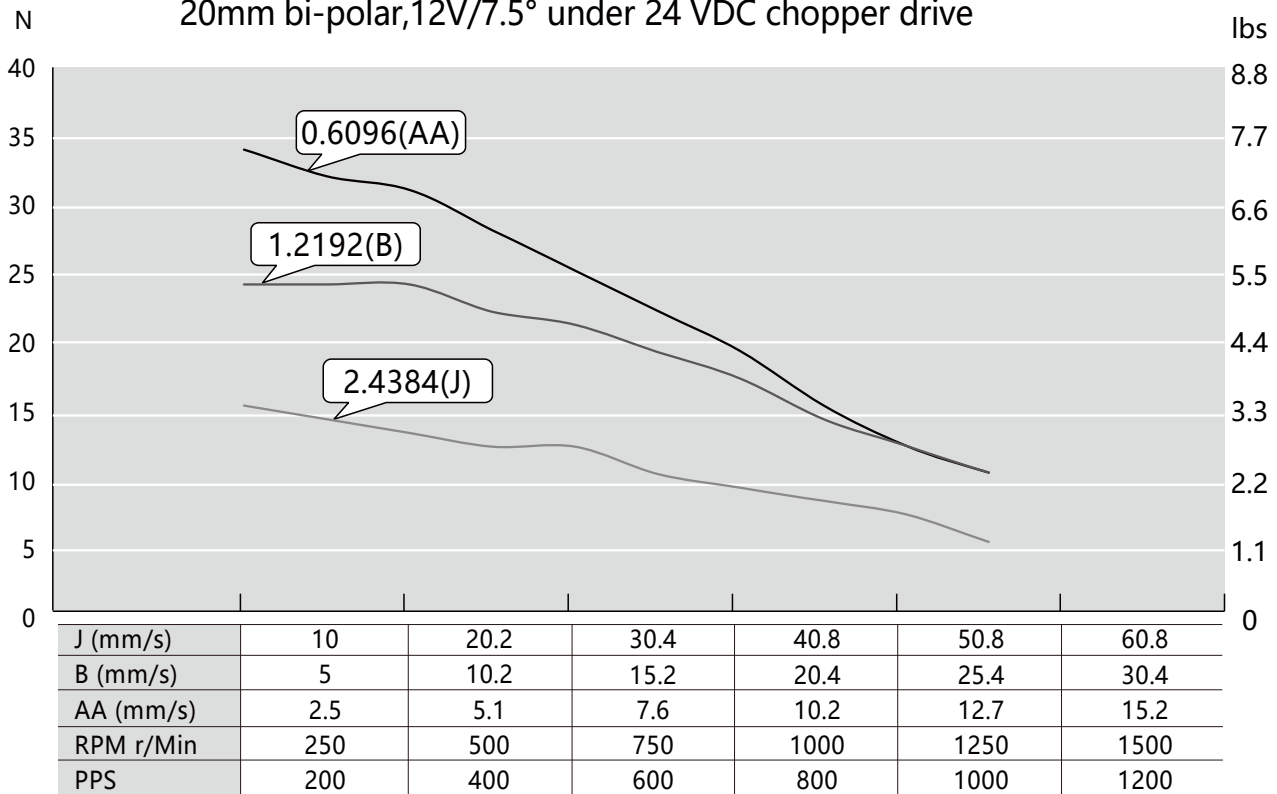
PPML20 Series

Speed Thrust Curves

20mm bi-polar, 5V/7.5° under 24 VDC chopper drive



20mm bi-polar, 12V/7.5° under 24 VDC chopper drive



2Phase Hybrid Stepper Motor

3Phase Hybrid Stepper Motor

5Phase Hybrid Stepper Motor

Hybrid Stepper Gear Motor

Lead Screw Linear Actuator

Ball Screw Linear Actuator

IP65 Stepper Motor

Hollow Shaft Stepper Motor

Stepper Motor With Brake

Pancake Stepper Motor

PM Stepper Motor

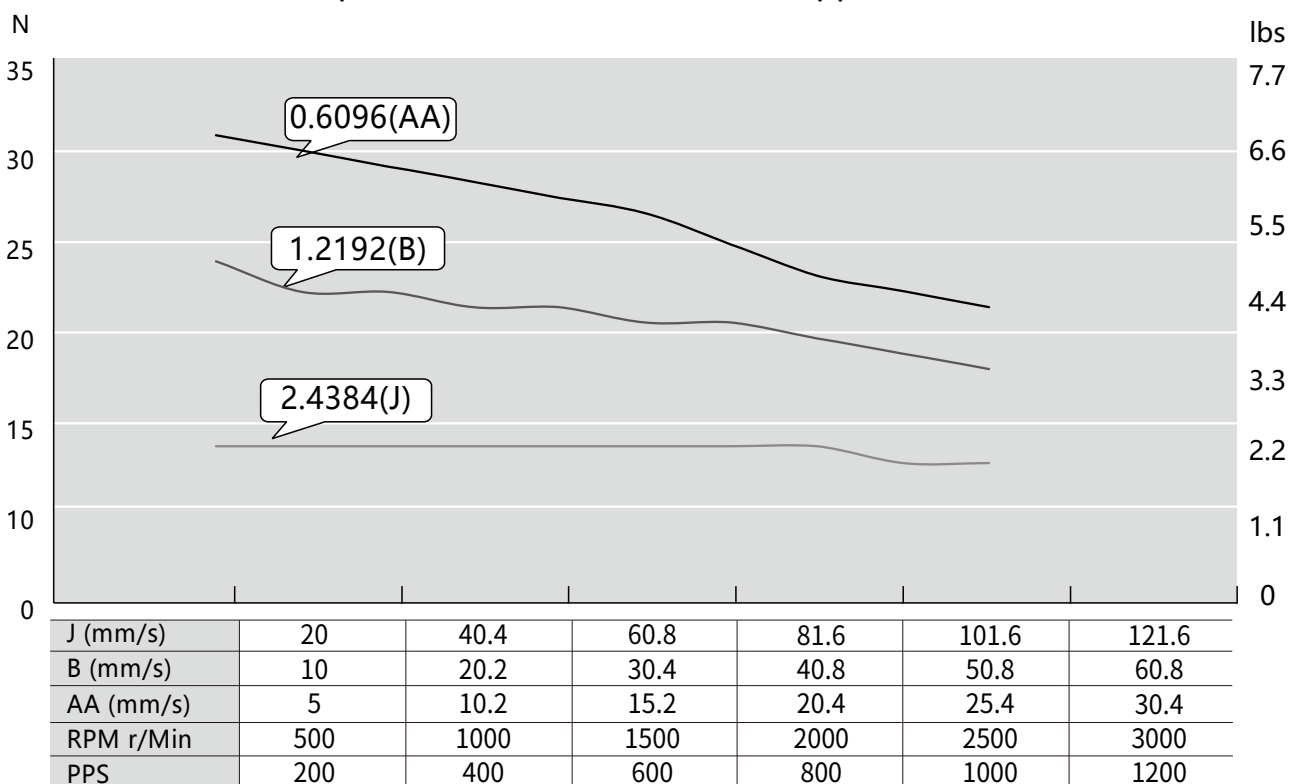
Can-Stack Stepper Linear Actuator

PM Stepper Gear Motor

Stepper Motor Drive

PPML20 Series

20mm bi-polar, 5V/15° under 24 VDC chopper drive



20mm bi-polar, 12V/15° under 24 VDC chopper drive

