

PPMS49 Series

● Key Features

- Small Size
- Smooth Movement
- Low Inertia

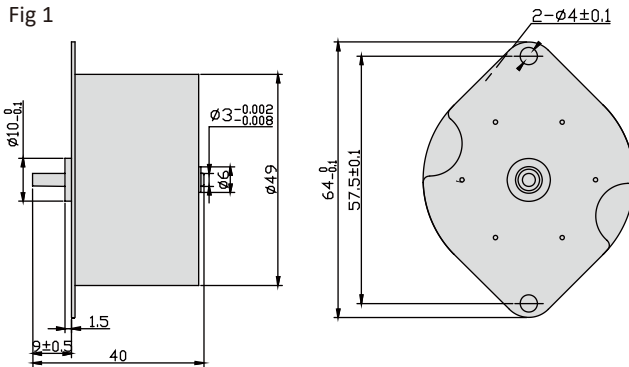


Step Angle Accuracy	±8%
Resistance Accuracy	±10%
Inductance Accuracy	±20%
Ambient Temperature	-10°C ~ 50°C
Insulation Resistance	100 MΩ Min.(At 500VDC)
Dielectric Strength	RMS for 2 Sec(At 650±50VAC)
Insulation Class	Class E

● Specifications

Series	Model Number	Holding Torque	Rated Current	Resistance per phase	Detent Torque	Rotor Inertia	Wiring Diagram	Drawing	No. of Phase	Step Angle
		g.cm	A	ohm	g.cm	g.cm ²	Wdg	Fig		°
PPMS49L48	PPMS49L48-01	1700	0.91	5.5	1700	14.5	a	1	2	7.5

● Mechanical Dimension



● Wiring Diagram

