

PPMS42 Series

● Key Features

- Small Size
- Smooth Movement
- Low Inertia

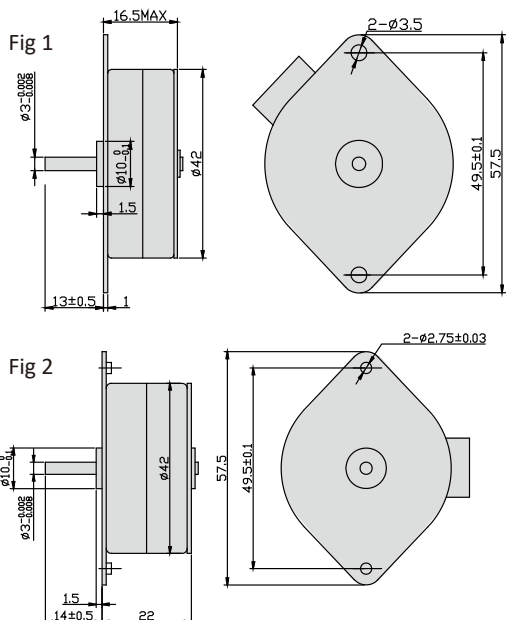


| | |
|-----------------------|-----------------------------|
| Step Angle Accuracy | ±8% |
| Resistance Accuracy | ±10% |
| Inductance Accuracy | ±20% |
| Ambient Temperature | -10°C ~ 50°C |
| Insulation Resistance | 100 MΩ Min.(At 500VDC) |
| Dielectric Strength | RMS for 2 Sec(At 650±50VAC) |
| Insulation Class | Class E |

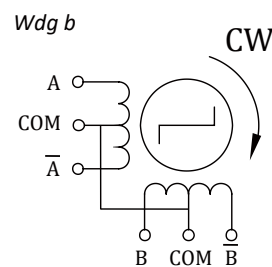
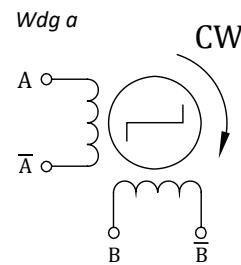
● Specifications

| Series | Model Number | Holding Torque | Rated Current | Resistance per phase | Detent Torque | Rotor Inertia | Wiring Diagram | Drawing | No. of Phase | Step Angle |
|-----------|--------------|----------------|---------------|----------------------|---------------|-------------------|----------------|---------|--------------|------------|
| | | g.cm | A | ohm | g.cm | g.cm ² | Wdg | Fig | | |
| PPMS42S48 | PPMS42S48-01 | 550 | 0.3 | 40 | 100 | 9.6 | b | 1 | 4 | 7.5 |
| | PPMS42S48-02 | 550 | 0.59 | 8.6 | 100 | 9.6 | a | 1 | 2 | 7.5 |
| PPMS42L48 | PPMS42L48-01 | 800 | 0.24 | 100 | 210 | 9.6 | b | 2 | 4 | 7.5 |
| | PPMS42L48-02 | 800 | 0.2 | 60 | 210 | 9.6 | b | 1 | 4 | 15 |

● Typical Outline



● Wiring Diagram



2Phase Hybrid Stepper Motor

3Phase Hybrid Stepper Motor

5Phase Hybrid Stepper Motor

Hybrid Stepper Gear Motor

Lead Screw Linear Actuator

Ball Screw Linear Actuator

IP65 Stepper Motor

Hollow Shaft Stepper Motor

Stepper Motor With Brake

Pancake Stepper Motor

PM Stepper Motor

Can-Stack Stepper Linear Actuator

PM Stepper Gear Motor

Stepper Motor Drive