

**PPMS35 Series**

**● Key Features**

- Small Size
- Smooth Movement
- Low Inertia

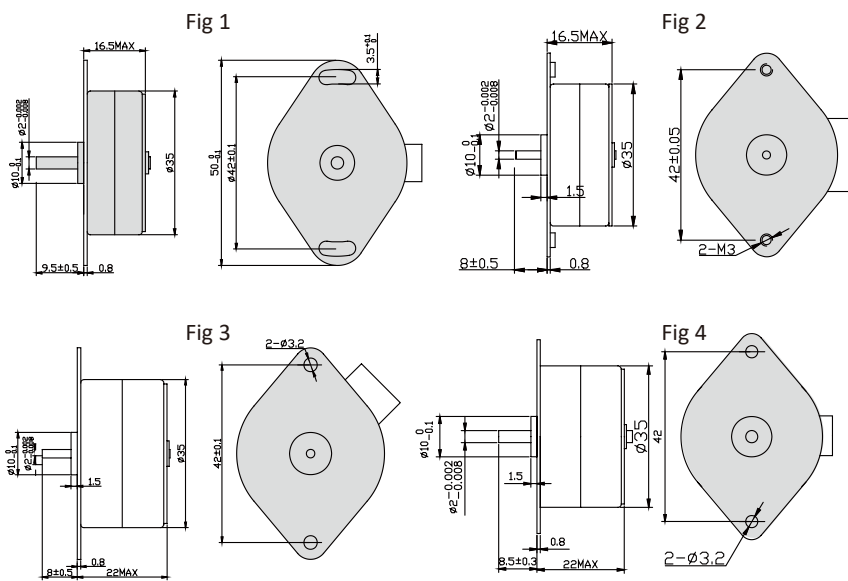


Step Angle Accuracy	±8%
Resistance Accuracy	±10%
Inductance Accuracy	±20%
Ambient Temperature	-10°C ~ 50°C
Insulation Resistance	100 MΩ Min.(At 500VDC)
Dielectric Strength	RMS for 2 Sec.(At 650±50VAC)
Insulation Class	Class E

**● Specifications**

Series	Model Number	Holding Torque	Rated Current	Resistance per phase	Inductance per phase	Detent Torque	Rotor Inertia	Wiring Diagram	Drawing	No. of Phase	Step Angle
		g.cm	A	ohm	mH	g.cm	g.cm <sup>2</sup>	Wdg	Fig		°
PPM35S48	PPM35S48-01	400	0.67	87.5	15.7	60	7.5	a	1	2	2
	PPM35S48-02	390	0.4	12.5	10.5	65	7.5	a	2	2	2
	PPM35S48-03	300	0.26	47	16.5	65	7.5	b	2	4	4
PPM35L24	PPM35L24-01	450	0.28	85	36.5	125	7.5	c	3	4	4
PPM35L48	PPM35L48-01	550	0.2	60	78	125	7.5	a	4	2	2
	PPM35L48-02	550	0.22	110	54.2	125	7.5	b	4	4	4

**● Typical Outline**



**● Wiring Diagram**

