

PPMS15 Series

● Key Features

- Small Size
- Smooth Movement
- Low Inertia

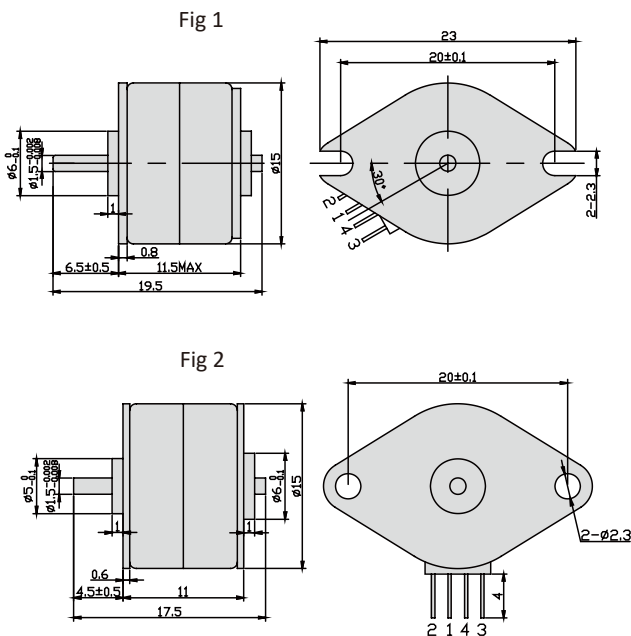


Step Angle Accuracy	±8%
Resistance Accuracy	±10%
Inductance Accuracy	±20%
Ambient Temperature	-10°C ~ 50°C
Insulation Resistance	100 MΩ Min.(At 500VDC)
Dielectric Strength	RMS for 2 Sec(At 650±50VAC)
Insulation Class	Class E

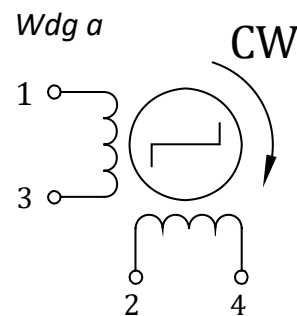
● Specifications

Series	Model Number	Holding Torque	Rated Current	Resistance per phase	Inductance per phase	Detent Torque	Rotor Inertia	Wiring Diagram	Drawing	No. of Phase	Step Angle
		g.cm	A	ohm	mH	g.cm	g.cm <sup>2</sup>	Wdg	Fig		°
PPMS15L20	PPMS15L20-01	27	0.5	10	3.0	10	0.3	a	1	2	18
	PPMS15L20-02	25	0.15	50	1.9	10	0.3	a	1	2	18
	PPMS15L20-03	25	0.33	15	1.2	10	0.3	a	2	2	18
	PPMS15L20-04	25	0.24	50	1.9	10	0.3	a	2	2	18
	PPMS15L20-05	24	0.065	190	1.2	10	0.3	a	2	2	18

● Typical Outline



● Wiring Diagram



2Phase Hybrid Stepper Motor

3Phase Hybrid Stepper Motor

5Phase Hybrid Stepper Motor

Hybrid Stepper Gear Motor

Lead Screw Linear Actuator

Ball Screw Linear Actuator

IP65 Stepper Motor

Hollow Shaft Stepper Motor

Stepper Motor With Brake

Pancake Stepper Motor

PM Stepper Motor

Can-Stack Stepper Linear Actuator

PM Stepper Gear Motor

Stepper Motor Drive