

PPMS10 Series

● Key Features

- Small Size
- Smooth Movement
- Low Inertia

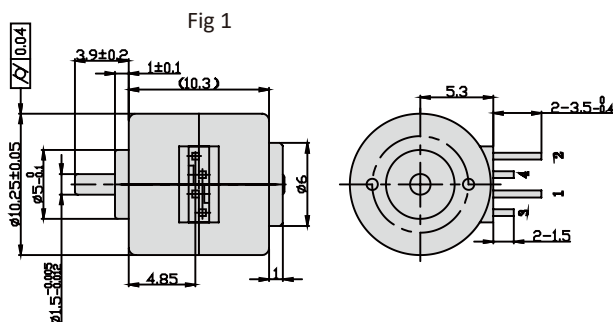


Step Angle Accuracy	±8%
Resistance Accuracy	±10%
Inductance Accuracy	±20%
Ambient Temperature	-10°C ~ 50°C
Insulation Resistance	100 MΩ Min.(At 500VDC)
Dielectric Strength	RMS for 2 Sec(At 650±50VAC)
Insulation Class	Class E

● Specifications

Series	Model Number	Holding Torque	Rated Current	Resistance per phase	Inductance per phase	Detent Torque	Rotor Inertia	Wiring Diagram	Drawing	No. of Phase	Step Angle
		g.cm	A	ohm	mH	g.cm	g.cm <sup>2</sup>	Wdg	Fig		°
PPMS10L20	PPMS10L20-01	80	0.22	15	3.0	10	<1.0	a	1, 2	2	18
	PPMS10L20-04	150	0.33	10	1.9	10	<1.0	a	1, 2	2	18
	PPMS10L20-05	160	0.5	6.6	1.2	10	<1.0	a	1, 2	2	18

● Typical Outline



● Wiring Diagram

