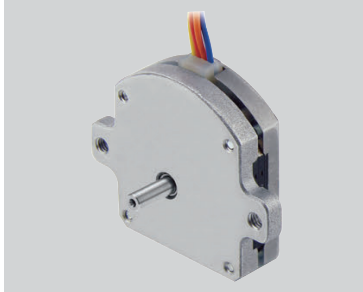


PHB28S Series

● Key Features

- 35% More Torque
- Quieter & Smoother
- Longer Lifetime

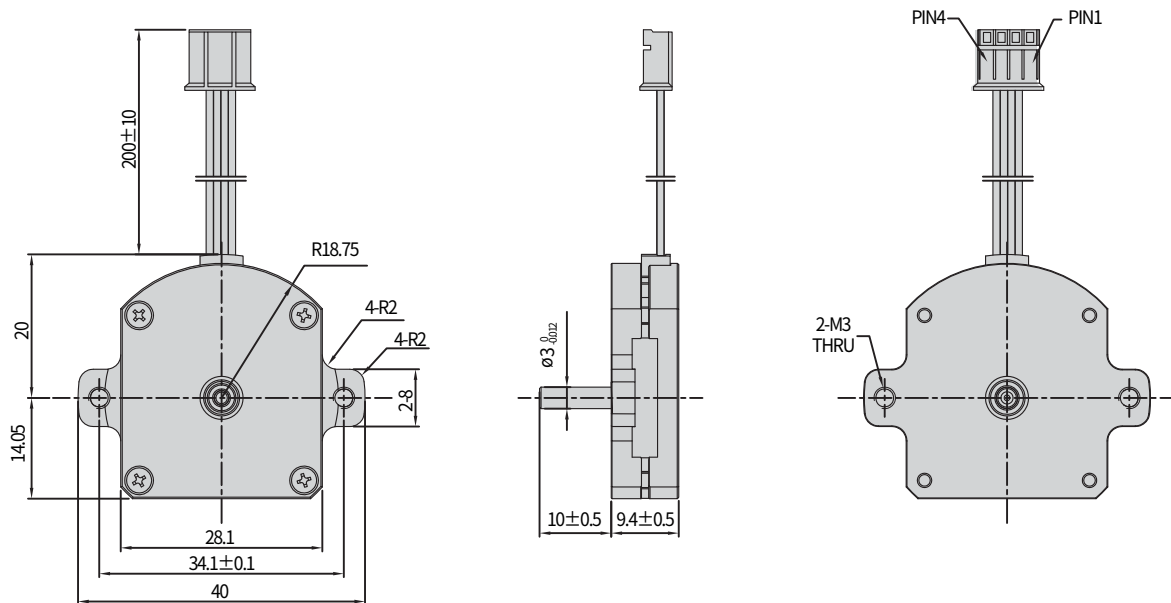


Step Angle	1.8°
Step Angle Accuracy	±5% (full step, no load)
Resistance Accuracy	±10%
Inductance Accuracy	±20%
Temperature Rise	80 °C Max. (rated current, 2 phase on)
Ambient Temperature	-20 °C ~ +50 °C
Insulation Resistance	100 MΩ Min., 500VDC
Dielectric Strength	600 VAC for one minute
Shaft Radial Play	0.02 Max. (400 g-load)
Shaft Axial Play	0.08 Max. (400 g-load)

● Specifications

Series & Length	Model Number	Holding Torque		Rated Current	Resistance per phase	Inductance per phase	Detent Torque		Rotor Inertia	
		N.cm	oz-in				N.cm	oz-in	g.cm ²	oz-in ²
PHB28S 9.4mm	PHB28S10F	1	1.4	0.5	3.7	0.88	0.1	0.14	1.7	0.009

● Mechanical Dimension



- 2Phase Hybrid Stepper Motor
- 3Phase Hybrid Stepper Motor
- 5Phase Hybrid Stepper Motor
- Hybrid Stepper Gear Motor
- Lead Screw Linear Actuator
- Ball Screw Linear Actuator
- IP65 Stepper Motor
- Hollow Shaft Stepper Motor
- Stepper Motor With Brake
- Pancake Stepper Motor
- PM Stepper Motor
- Can-Stack Stepper Linear Actuator
- PM Stepper Gear Motor
- Stepper Motor Drive