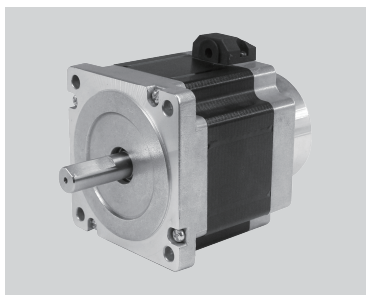


PHB86S Series

● Key Features

- High Torque
- Low Noise
- High Speed



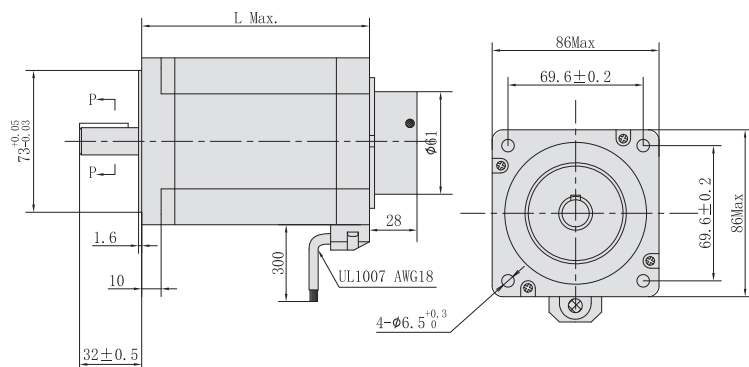
Step Angle	1.8°
Step Angle Accuracy	±5% (full step, no load)
Resistance Accuracy	±10%
Inductance Accuracy	±20%
Temperature Rise	80 °C Max. (rated current)
Ambient Temperature	-20 °C ~ +50 °C
Insulation Resistance	100 MΩ Min., 500VDC
Dielectric Strength	1500 VAC for one minute
Shaft Radial Play	0.02 Max. (450 g-load)
Shaft Axial Play	0.08 Max. (450 g-load)

● Specifications

- 8 wires

Model & Length	Model Number	Connection	Holding Torque		Rated Current	Resistance per phase	Inductance per phase	Detent Torque		Rotor Inertia	
			N.cm	oz-in				N.cm	oz-in	kg.cm ²	oz-in ²
PHB86S66B 66mm	PHB86S66B-802	Bipolar-Parallel	310	434	5.6	0.3	1.6	5.5	7.7	0.85	4.675
		Bipolar-Series	310	434	2.8	1.2	6.4				
PHB86S78B 78mm	PHB86S78B-802	Bipolar-Parallel	420	588	5.6	0.35	3.0	6.5	9.1	1.05	5.775
		Bipolar-Series	420	588	2.8	1.4	12.0				
PHB86S98B 92mm	PHB86S98B-802	Bipolar-Parallel	650	910	5.6	0.5	4.1	9.5	13.3	1.55	8.525
		Bipolar-Series	650	910	2.8	2.0	16.4				
PHB86S114B 114mm	PHB86S114B-802	Bipolar-Parallel	820	1148	5.6	0.55	5.5	12.5	17.5	1.80	9.900
		Bipolar-Series	820	1148	2.8	2.2	22.0				
PHB86S126B 126mm	PHB86S126B-802	Bipolar-Parallel	900	1260	5.6	0.65	5.8	18.5	25.9	2.20	12.10
		Bipolar-Series	900	1260	2.8	2.6	23.2				
PHB86S150B 150mm	PHB86S150B-802	Bipolar-Parallel	1200	1680	5.6	0.7	9.2	24.5	34.3	2.50	13.75
		Bipolar-Series	1200	1680	2.8	2.8	36.8				

● Mechanical Dimension



Series	L	Mass
	mm (in.)	kg (lb.)
PHB86S66B	66 (2.60)	2.0 (4.40)
PHB86S78B	78 (3.07)	2.5 (5.50)
PHB86S98B	98 (3.86)	3.0 (6.60)
PHB86S114B	114 (4.49)	4.0 (8.80)
PHB86S126B	126 (4.96)	4.5 (9.90)
PHB86S150B	150 (5.91)	5.0 (11.0)