

PHB42S Series

● Key Features

- Small Size
- High Accuracy
- Low Inertia



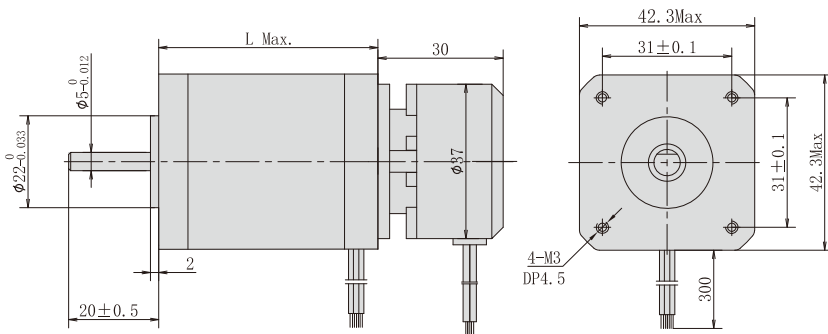
Step Angle	1.8°
Step Angle Accuracy	±5% (full step, no load)
Resistance Accuracy	±10%
Inductance Accuracy	±20%
Temperature Rise	80 °C Max.(rated current, 2 phase on)
Ambient Temperature	-20 °C ~ +50 °C
Insulation Resistance	100 MΩ Min., 500VDC
Dielectric Strength	500 VAC for one minute
Shaft Radial Play	0.02 Max. (450 g-load)
Shaft Axial Play	0.08 Max. (450 g-load)

● Specifications

- Bi-polar

Series & Length	Model Number	Holding Torque		Rated Current	Resistance per phase	Inductance per phase	Detent Torque		Rotor Inertia	
		N.cm	oz-in				N.cm	oz-in	g.cm ²	oz-in ²
PHB42S34B 34mm	PHB42S34B-432	28	39.2	1.7	1.2	1.8	1.6	2.24	34	0.187
PHB42S40B 40mm	PHB42S40B-402	40	56	1.7	1.5	2.8	2.2	3.08	54	0.297
PHB42S48B 48mm	PHB42S48B-402	52	72.8	1.7	1.8	3.2	2.6	3.64	68	0.374
PHB42S60B 60mm	PHB42S60B-403	70	98	2.3	1.4	2.5	3.6	5.04	80	0.440
PHB42S63B 63mm	PHB42S63B-403	80	112	2.3	1.5	2.2	4.0	5.6	85	0.468

● Mechanical Dimension



Series	L		Mass
	mm	(in.)	
PHB42S34B	34	(1.34)	220 (0.49)
PHB42S40B	40	(1.57)	280 (0.62)
PHB42S48B	48	(1.89)	350 (0.77)
PHB42S60B	60	(2.36)	480 (1.06)
PHB42S63B	63	(2.48)	500 (1.10)

2Phase Hybrid Stepper Motor

3Phase Hybrid Stepper Motor

5Phase Hybrid Stepper Motor

Hybrid Stepper Gear Motor

Lead Screw Linear Actuator

Ball Screw Linear Actuator

IP65 Stepper Motor

Hollow Shaft Stepper Motor

Stepper Motor With Brake

Pancake Stepper Motor

PM Stepper Motor

Can-Stack Stepper Linear Actuator

PM Stepper Gear Motor

Stepper Motor Drive