

PHH86S Series

● Key Features

- High Torque
- Low Noise
- High Speed



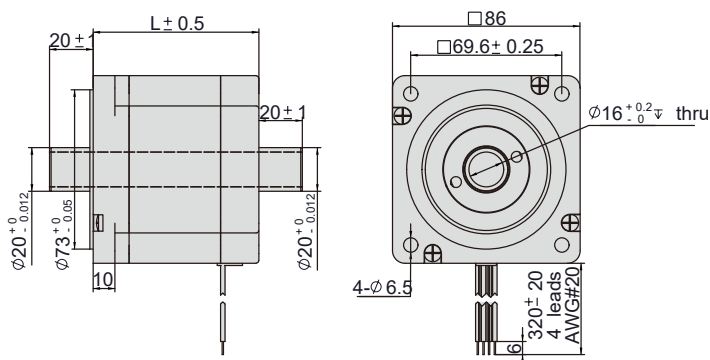
Step Angle	1.8°
Step Angle Accuracy	±5% (full step, no load)
Resistance Accuracy	±10%
Inductance Accuracy	±20%
Temperature Rise	80 °C Max. (rated current)
Ambient Temperature	-20 °C ~ +50 °C
Insulation Resistance	100 MΩ Min., 500VDC
Dielectric Strength	820 VAC for one minute
Shaft Radial Play	0.02 Max. (450 g-load)
Shaft Axial Play	0.08 Max. (450 g-load)

● Specifications

- 8 wires

Model & Length	Model Number	Connection	Holding Torque		Rated Current	Resistance per phase	Inductance per phase	Detent Torque		Rotor Inertia	
			N.cm	oz-in				N.cm	oz-in	kg.cm <sup>2</sup>	oz-in <sup>2</sup>
PHH86S66 66mm	PHH86S66-802	Bipolar-Parallel	310	434	5.6	0.3	1.6	5.5	7.7	0.85	4.675
		Bipolar-Series	310	434	2.8	1.2	6.4				
PHH86S78 78mm	PHH86S78-802	Bipolar-Parallel	420	588	5.6	0.35	3.0	6.5	9.1	1.05	5.775
		Bipolar-Series	420	588	2.8	1.4	12.0				
PHH86S98 98mm	PHH86S98-802	Bipolar-Parallel	650	910	5.6	0.5	4.1	9.5	13.3	1.55	8.525
		Bipolar-Series	650	910	2.8	2.0	16.4				

● Mechanical Dimension



Series	L	Mass
	mm (in.)	kg (lb.)
PHH86S66	66 (2.60)	2.0 (4.40)
PHH86S78	78 (3.07)	2.5 (5.50)
PHH86S98	98 (3.86)	3.0 (6.60)