

PHH60S Series

● Key Features

- High Torque
- Low Vibration
- High Speed



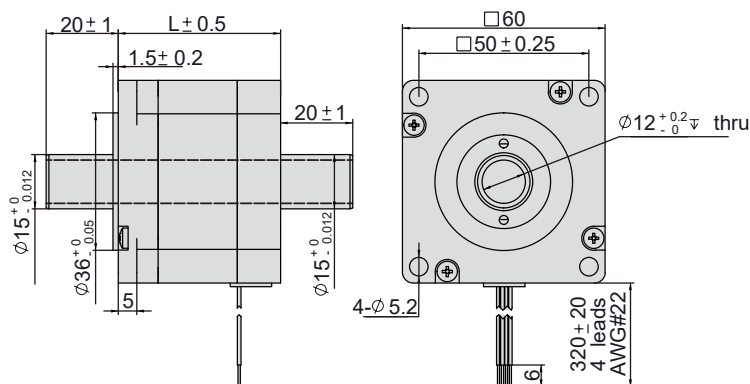
Step Angle	1.8°
Step Angle Accuracy	±5% (full step, no load)
Resistance Accuracy	±10%
Inductance Accuracy	±20%
Temperature Rise	80 °C Max.(rated current, 2 phase on)
Ambient Temperature	-20 °C ~ +50 °C
Insulation Resistance	100 MΩ Min., 500VDC
Dielectric Strength	500 VAC for one minute
Shaft Radial Play	0.02 Max. (450 g-load)
Shaft Axial Play	0.08 Max. (450 g-load)

● Specifications

- Bi-polar

Series & Length	Model Number	Holding Torque		Rated Current	Resistance per phase	Inductance per phase	Detent Torque		Rotor Inertia	
		N.cm	oz-in				A	ohm	mH	N.cm
PHH60S45 45mm	PHH60S45-425	85	119	2.5	1.0	2.2	3.5	4.9	200	1.100
PHH60S56 56mm	PHH60S56-430	160	224	3.0	0.8	2.4	4.0	5.6	350	1.925
PHH60S64 64mm	PHH60S64-430	180	252	3.0	0.8	2.3	5.0	7	450	2.475
PHH60S76 76mm	PHH60S76-404	220	308	4.2	0.6	1.8	7.0	9.8	550	3.025

● Mechanical Dimension



Series	L	Mass
	mm (in.)	g (lb.)
PHH60S45	45 (1.77)	550 (1.21)
PHH60S56	56 (2.20)	700 (1.54)
PHH60S64	64 (2.52)	950 (2.09)
PHH60S76	76 (2.99)	1150 (2.53)