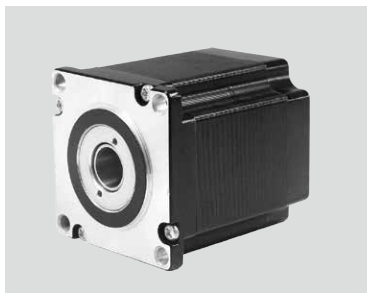


PHH57S Series

● Key Features

- High Torque
- Smooth Movement
- High Speed



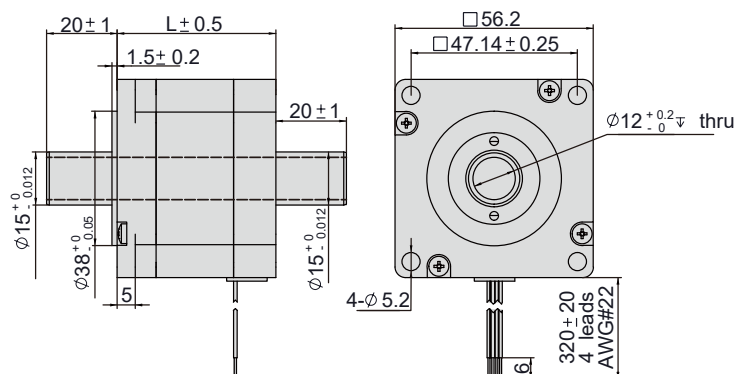
Step Angle	1.8°
Step Angle Accuracy	±5% (full step, no load)
Resistance Accuracy	±10%
Inductance Accuracy	±20%
Temperature Rise	80 °C Max. (rated current, 2 phase on)
Ambient Temperature	-20 °C ~ +50 °C
Insulation Resistance	100 MΩ Min., 500VDC
Dielectric Strength	500 VAC for one minute
Shaft Radial Play	0.02 Max. (450 g-load)
Shaft Axial Play	0.08 Max. (450 g-load)

● Specifications

- Bi-polar

Series & Length	Model Number	Holding Torque		Rated Current	Resistance per phase	Inductance per phase	Detent Torque		Rotor Inertia	
		N.cm	oz-in	A	ohm	mH	N.cm	oz-in	g.cm ²	oz-in ²
PHH57S41 41mm	PHH57S41-420	55	77	2.0	1.2	2.5	2.5	3.5	150	0.825
PHH57S51 51mm	PHH57S51-425	90	126	2.5	1.2	3.2	3.0	4.2	230	1.265
PHH57S56 56mm	PHH57S56-430	110	154	3.0	0.8	2.4	3.5	4.9	280	1.540
PHH57S76 76mm	PHH57S76-430	180	252	3.0	1.0	3.5	6.0	8.4	440	2.420

● Mechanical Dimension



Series	L		Mass	
	mm (in.)	g (lb.)	g (lb.)	g (lb.)
PHH57S41	41 (1.61)	470 (1.04)	470 (1.04)	470 (1.04)
PHH57S51	51 (1.29)	590 (1.30)	590 (1.30)	590 (1.30)
PHH57S56	56 (2.01)	680 (1.50)	680 (1.50)	680 (1.50)
PHH57S76	76 (2.95)	1050 (2.31)	1050 (2.31)	1050 (2.31)