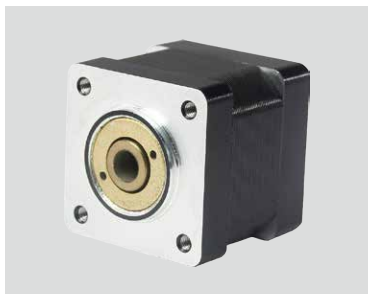


PHH35Y Series

● Key Features

- Small Size
- High Speed
- High Acceleration



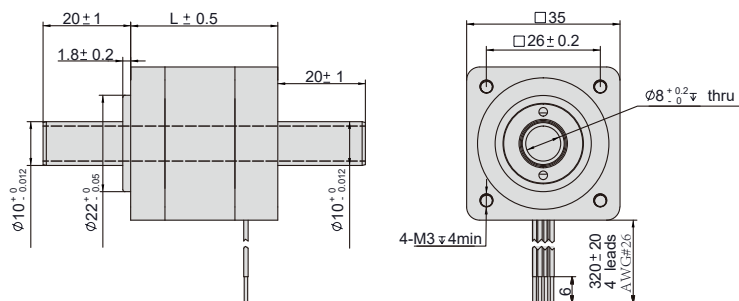
Step Angle	1.8°
Step Angle Accuracy	±5% (full step, no load)
Resistance Accuracy	±10%
Inductance Accuracy	±20%
Temperature Rise	80 °C Max. (rated current, 2 phase on)
Ambient Temperature	-20 °C ~ +50 °C
Insulation Resistance	100 MΩ Min., 500VDC
Dielectric Strength	500 VAC for one minute
Shaft Radial Play	0.02 Max. (450 g-load)
Shaft Axial Play	0.08 Max. (450 g-load)

● Specifications

- Bi-polar

Series & Length	Model Number	Holding Torque		Rated Current	Resistance per phase	Inductance per phase	Detent Torque		Rotor Inertia	
		N.cm	oz-in				N.cm	oz-in	g.cm ²	oz-in ²
PHH35Y20 20mm	PHH35Y20-404	5	7	0.4	22	16	0.5	0.7	9	0.050
PHH35Y26 26mm	PHH35Y26-402	10	14	0.8	4.2	4.5	0.6	0.6	10	0.055
PHH35Y28 28mm	PHH35Y28-402	12	16.8	0.8	5.0	5.0	0.8	0.84	11	0.061
PHH35Y34 34mm	PHH35Y34-402	18	25.2	0.8	6.5	9.8	1.0	1.4	13	0.072
PHH35Y42 42mm	PHH35Y42-402	22	30.8	0.8	10.5	13	1.5	2.1	22	0.121
PHH35Y52 52mm	PHH35Y52-418	30	42	1.8	2.5	5.0	2.0	2.8	26	0.143

● Mechanical Dimension



Series	L	Mass
	mm (in.)	g (lb.)
PHH35Y20	20 (0.79)	90 (0.20)
PHH35Y26	26 (1.02)	110 (0.24)
PHH35Y28	28 (1.10)	120 (0.26)
PHH35Y34	34 (1.34)	160 (0.35)
PHH35Y42	42 (1.65)	200 (0.44)
PHH35Y52	52 (2.05)	230 (0.51)