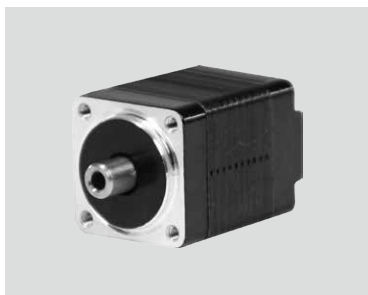


PHH20Y Series

● Key Features

- Small Size
- Smooth Movement
- Low Inertia



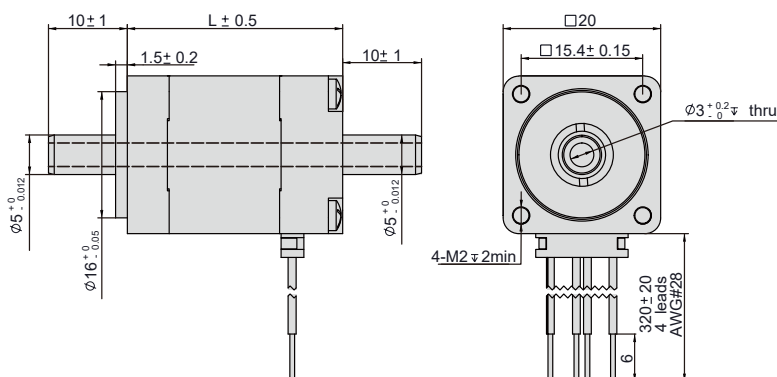
Step Angle	1.8°
Step Angle Accuracy	±5% (full step, no load)
Resistance Accuracy	±10%
Inductance Accuracy	±20%
Temperature Rise	80 °C Max.(rated current, 2 phase on)
Ambient Temperature	-20 °C ~ +50 °C
Insulation Resistance	100 MΩ Min., 500VDC
Dielectric Strength	500 VAC for one minute
Shaft Radial Play	0.02 Max. (450 g-load)
Shaft Axial Play	0.08 Max. (450 g-load)

● Specifications

- Bi-polar

Series & Length	Model Number	Holding Torque		Rated Current A	Resistance per phase ohm	Inductance per phase mH	Detent Torque		Rotor Inertia	
		N.cm	oz-in				N.cm	oz-in	g.cm ²	oz-in ²
PHH20Y28 28mm	PHH20Y28-406	1.4	1.96	0.6	3.2	0.9	0.2	0.28	2.5	0.014
PHH20Y34 34mm	PHH20Y34-406	1.8	2.52	0.6	4.5	1.2	0.3	0.42	3.2	0.018
PHH20Y40 40mm	PHH20Y40-406	2.4	3.36	0.6	5.8	1.6	0.5	0.7	4.5	0.025

● Mechanical Dimension



Series	L	Mass
	mm (in.)	g (lb.)
PHH20Y28	28 (1.10)	50 (0.11)
PHH20Y34	34 (1.33)	70 (0.15)
PHH20Y40	40 (1.57)	82 (0.18)