

PHP86S Series

● **Key Features**

- High Torque
- Smooth Movement
- High Speed

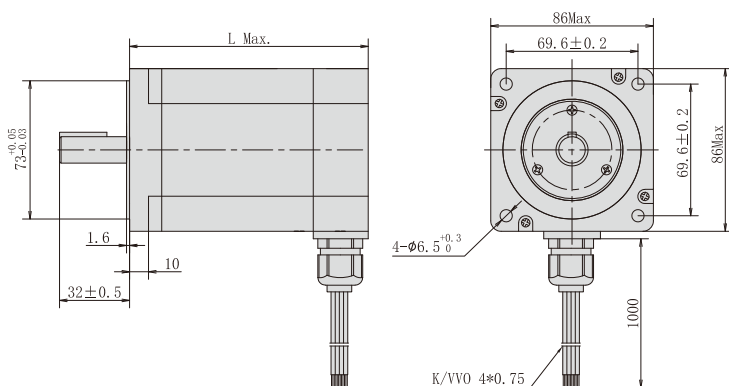


Step Angle	1.8°
Step Angle Accuracy	±5% (full step, no load)
Resistance Accuracy	±10%
Inductance Accuracy	±20%
Temperature Rise	80 °C Max.(rated current, 2 phase on)
Ambient Temperature	-20 °C ~ +50 °C
Insulation Resistance	100 MΩ Min., 500VDC
Dielectric Strength	500 VAC for one minute
Shaft Radial Play	0.02 Max. (450 g-load)
Shaft Axial Play	0.08 Max. (450 g-load)

● **Specifications**

Series & Length	Model Number	Holding Torque		Rated Current	Resistance per phase	Inductance per phase	Bi/Unipolar	Rotor Inertia	
		N.m	oz-in	A	ohm	mH	# of Leads	g.cm ²	oz-in ²
PHP86S88 88mm	PHP86S88-430-IP65	4.5	1.68	3.0	1.3	12.0	Bi (4)	2100	11.55
	PHP86S88-445-IP65	4.5	1.68	4.5	0.6	6.0	Bi (4)	2100	11.55
	PHP86S88-460-IP65	4.5	1.68	6.0	0.3	3.5	Bi (4)	2100	11.55
PHP86S126 126mm	PHP86S126-430-IP65	8.0	2.80	3.0	2.1	25.7	Bi (4)	3600	19.80
	PHP86S126-445-IP65	8.0	2.80	4.5	0.9	11.8	Bi (4)	3600	19.80
	PHP86S126-460-IP65	8.0	2.80	6.0	0.5	6.5	Bi (4)	3600	19.80

● **Mechanical Dimension**



Series	L	Mass
	mm (in.)	kg (lb.)
PHP86S88	88 (3.46)	2.1 (4.62)
PHP86S126	126 (4.96)	3.6 (7.92)