

PHP60S Series

● Key Features

- High Torque
- Smooth Movement
- High Speed

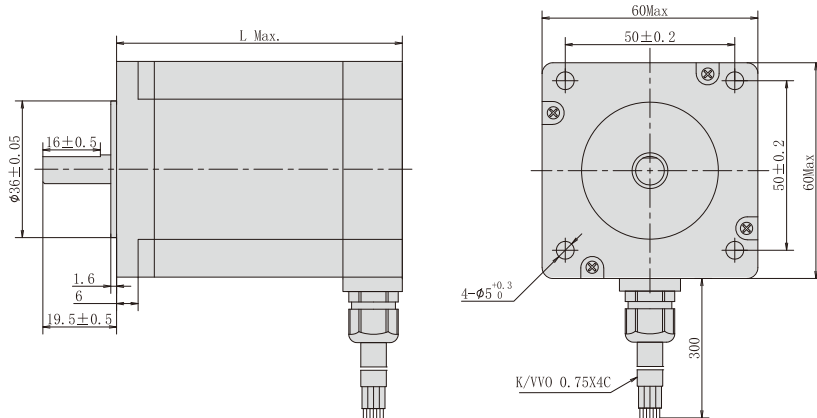


Step Angle	1.8°
Step Angle Accuracy	±5% (full step, no load)
Resistance Accuracy	±10%
Inductance Accuracy	±20%
Temperature Rise	80 °C Max. (rated current, 2 phase on)
Ambient Temperature	-20 °C ~ +50 °C
Insulation Resistance	100 MΩ Min., 500VDC
Dielectric Strength	500 VAC for one minute
Shaft Radial Play	0.02 Max. (450 g-load)
Shaft Axial Play	0.08 Max. (450 g-load)

● Specifications

Series & Length	Model Number	Holding Torque		Rated Current	Resistance per phase	Inductance per phase	Bi/Unipolar	Rotor Inertia	
		N.m	oz-in	A	ohm	mH	# of Leads	g.cm ²	oz-in ²
PHP60S60 60mm	PHP60S60-420-IP65	1.5	2.1	2.0	1.8	6.0	Bi (4)	340	1.870
PHP60S95 95mm	PHP60S95-430-IP65	3.0	4.2	3.0	1.3	5.0	Bi (4)	690	3.795

● Mechanical Dimension



Series	L	Mass
	mm (in.)	kg (lb.)
PHP60S60	60 (2.36)	0.85 (1.87)
PHP60S95	95 (3.74)	1.60 (3.52)

2Phase Hybrid Stepper Motor

3Phase Hybrid Stepper Motor

5Phase Hybrid Stepper Motor

Hybrid Stepper Gear Motor

Lead Screw Linear Actuator

Ball Screw Linear Actuator

IP65 Stepper Motor

Hollow Shaft Stepper Motor

Stepper Motor With Brake

Pancake Stepper Motor

PM Stepper Motor

Can-Stack Stepper Linear Actuator

PM Stepper Gear Motor

Stepper Motor Drive