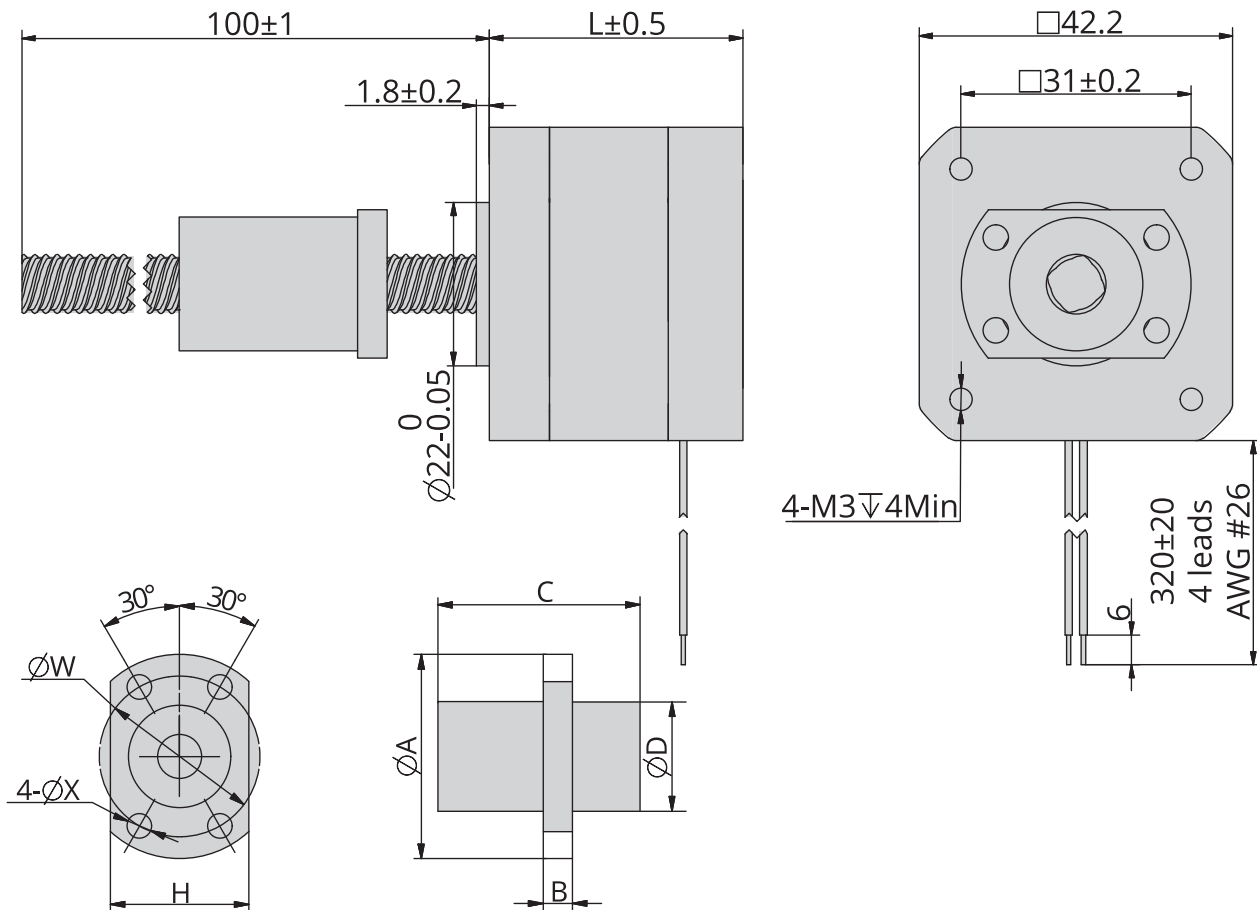


PHBS42 Series

Electrical Parameter

| Model NO.      | Rated Voltage | Current | Resistance | Inductance | Lead Wire | Motor Length |
|----------------|---------------|---------|------------|------------|-----------|--------------|
|                | V/∅           | A/∅     | Ω/∅        | mH/∅       | Pin       | mm           |
| PHBS42E34-4S10 | 3.8           | 1.0     | 3.8        | 5.0        | 4         | 34.1         |
| PHBS42E34-4S15 | 2.78          | 1.5     | 1.85       | 2.2        | 4         | 34.1         |
| PHBS42E48-4S12 | 4.56          | 1.2     | 3.8        | 8.0        | 4         | 48.1         |
| PHBS42E48-4S25 | 2.5           | 2.5     | 1.0        | 1.8        | 4         | 48.1         |

Typical Dimension



## PHBS42 Series

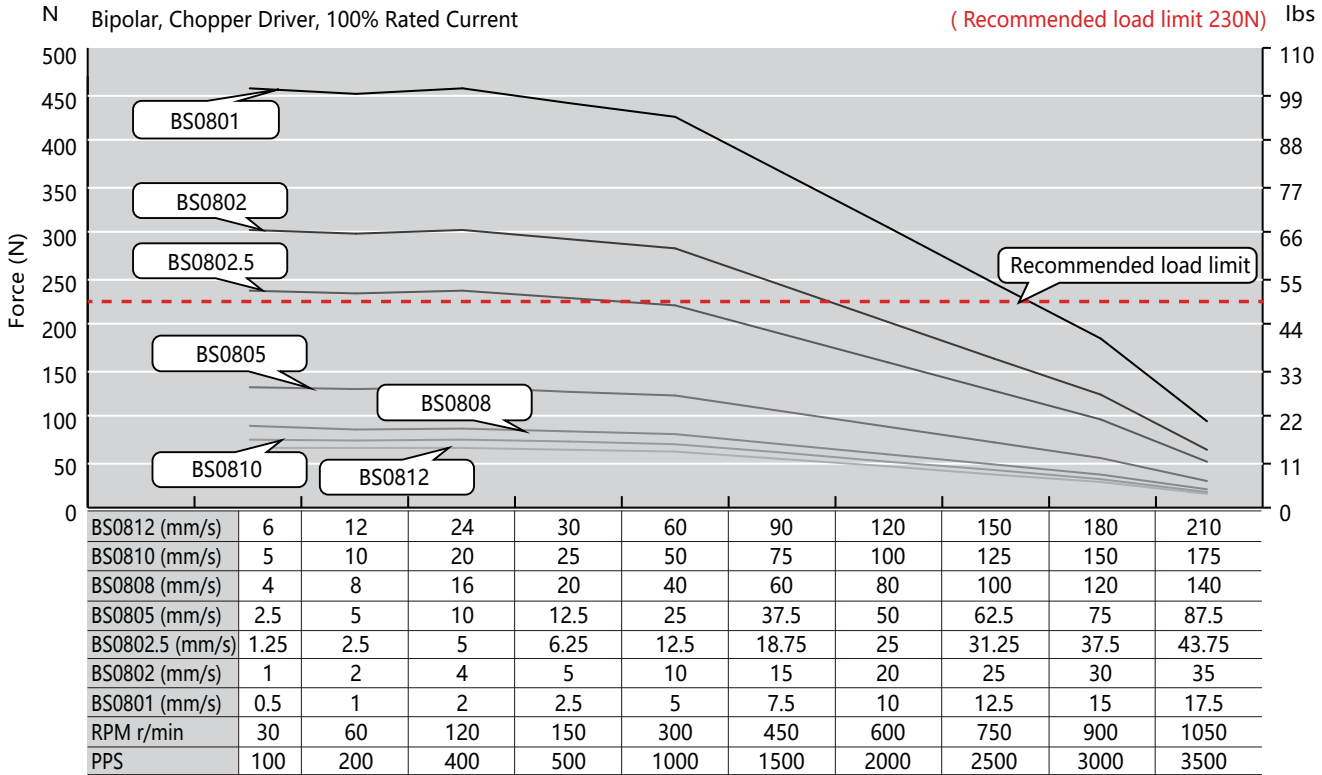
## ■ Ball Screw Specification

| Ball screw type     | BS0801        | BS0802  | BS0802.5 | BS0805  | BS0808  | BS0810  | BS0812  |   |       |                   |               |            |                 |                |
|---------------------|---------------|---------|----------|---------|---------|---------|---------|---|-------|-------------------|---------------|------------|-----------------|----------------|
| Ball size           | Φ0.8          | Φ1.5875 | Φ1.5875  | Φ1.5875 | Φ1.5875 | Φ1.5875 | Φ1.5875 |   |       |                   |               |            |                 |                |
| Number of thread    | 1             | 1       | 1        | 1       | 2       | 2       | 2       |   |       |                   |               |            |                 |                |
| Thread direction    | Right         |         |          |         |         |         |         |   |       |                   |               |            |                 |                |
| Shaft root dia.     | Φ7.3          | Φ6.6    | Φ6.3     | Φ6.6    | Φ6.7    | Φ6.7    | Φ6.7    |   |       |                   |               |            |                 |                |
| Number of circuit   | 3.7x1         | 3.7x1   | 2.7x1    | 2.1x1   | 1.6x2   | 1.6x2   | 1.6x2   |   |       |                   |               |            |                 |                |
| Shat, nut material  | SCM415H       |         |          |         |         |         |         |   |       |                   |               |            |                 |                |
| Surface hardness    | HRC58~62      |         |          |         |         |         |         |   |       |                   |               |            |                 |                |
| Anti-rust treatment | Anti-rust oil |         |          |         |         |         |         |   |       |                   |               |            |                 |                |
| Nut size            | A             | B       | C        | D       | H       | W       | X       | E | Grade | Position accuracy | Total run out | Axial play | Dynamic load(N) | Static load(N) |
| BS0801              | 29            | 4       | 17       | 16      | 18      | 23      | 3.4     |   | C7    | ±0.05             | 0.12          | ≤0.03      | 780             | 1650           |
| BS0802              | 37            | 5       | 24       | 20      | 22      | 29      | 4.5     |   | C7    | ±0.05             | 0.12          | ≤0.03      | 2400            | 4100           |
| BS0802.5            | 29            | 4       | 16       | 16      | 18      | 23      | 3.4     |   | C7    | ±0.05             | 0.12          | ≤0.03      | 1850            | 3000           |
| BS0805              | 31            | 4       | 28       | 18      | 20      | 25      | 3.4     |   | C7    | ±0.05             | 0.12          | ≤0.03      | 1850            | 3000           |
| BS0808              | 31            | 4       | 20       | 18      | 20      | 25      | 3.4     | 6 | C7    | ±0.05             | 0.12          | ≤0.03      | 2200            | 3800           |
| BS0810              | 31            | 4       | 20       | 18      | 20      | 25      | 3.4     | 7 | C7    | ±0.05             | 0.12          | ≤0.03      | 2200            | 3800           |
| BS0812              | 31            | 4       | 24       | 18      | 20      | 25      | 3.4     | 6 | C7    | ±0.05             | 0.12          | ≤0.03      | 2200            | 3800           |

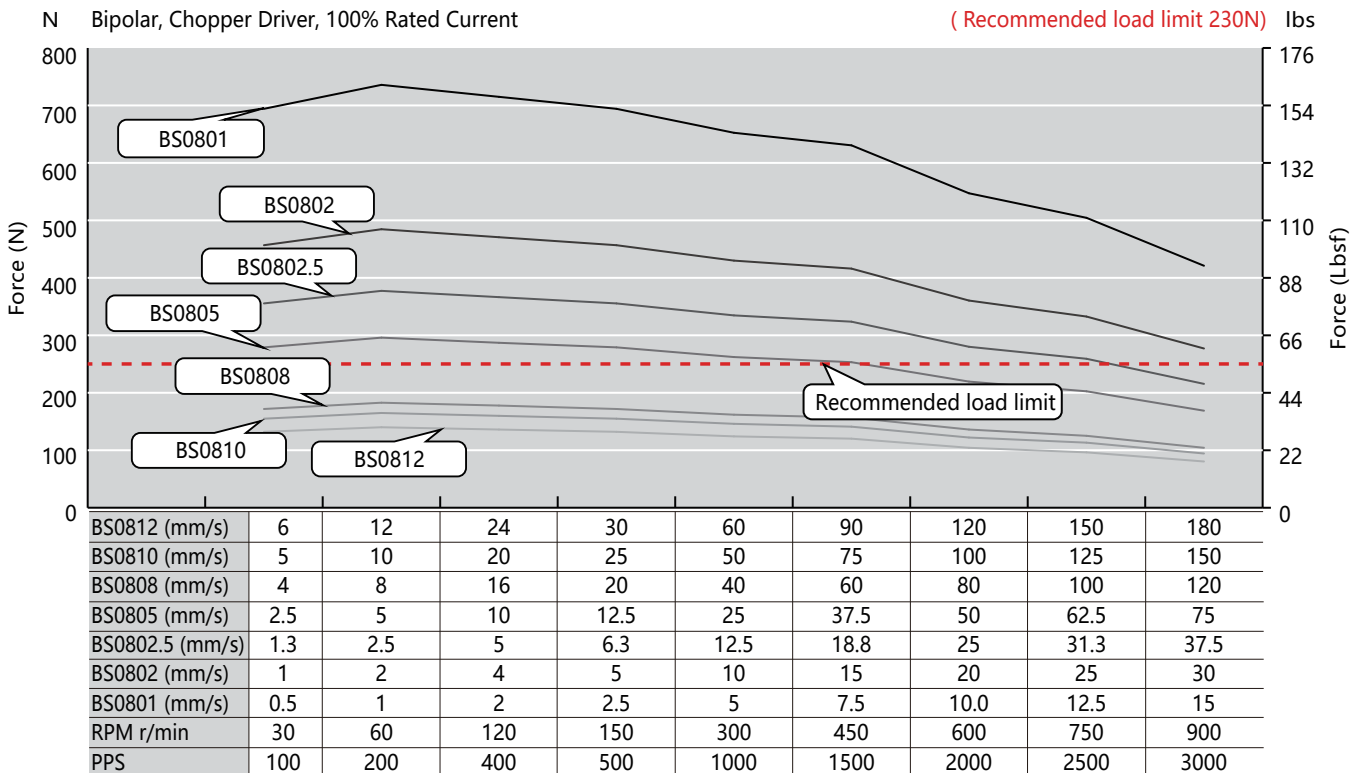
PHBS42 Series

Size 17 (42mm) Speed Thrust Curves

Size 17 (42mm) single stack speed thrust curves



Size 17 (42mm) double stack speed thrust curves



- 2Phase Hybrid Stepper Motor
- 3Phase Hybrid Stepper Motor
- 5Phase Hybrid Stepper Motor
- Hybrid Stepper Gear Motor
- Lead Screw Linear Actuator
- Ball Screw Linear Actuator
- IP65 Stepper Motor
- Hollow Shaft Stepper Motor
- Stepper Motor With Brake
- Pancake Stepper Motor
- PM Stepper Motor
- Can-Stack Stepper Linear Actuator
- PM Stepper Gear Motor
- Stepper Motor Drive