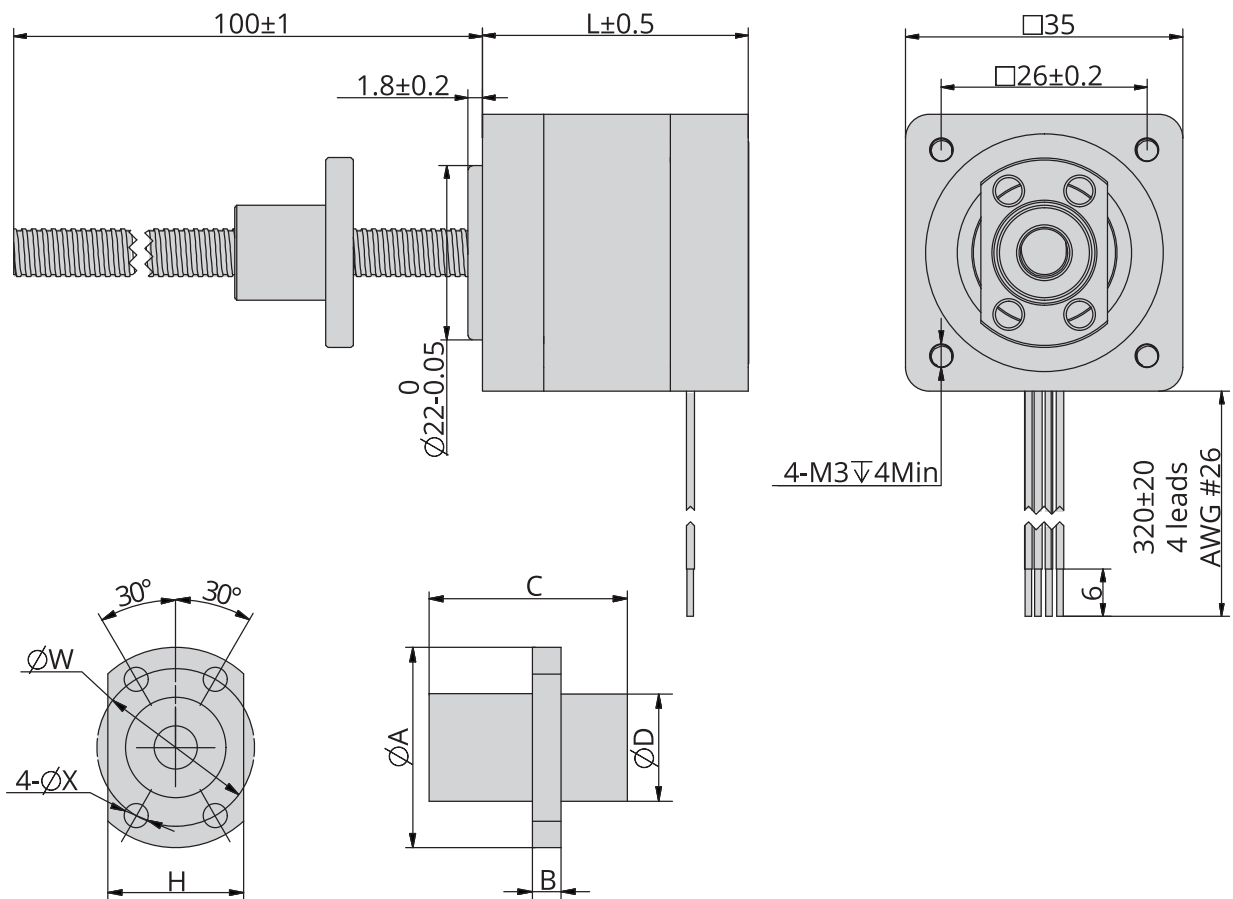


PHBS35 Series

Electrical Parameter

Model NO.	Rated Voltage	Current	Resistance	Inductance	Lead Wire	Motor Length
	V/∅	A/∅	Ω/∅	mH/∅	Pin	mm
PHBS35E34-4S10	3.5	1.0	3.5	3.6	4	33.6
PHBS35E34-4S15	2.7	1.5	1.8	1.9	4	33.6
PHBS35E46-4S10	6.0	1.0	6.0	7.2	4	45.6
PHBS35E46-4S15	4.0	1.5	2.7	3.2	4	45.6

Typical Dimension



PHBS35 Series

■ Ball Screw Specification

Ball screw type	BS0601	BS0602	BS0606	BS0610	BS0801	BS0802	BS0802.5	BS0805	BS0808	BS0810	BS0812		
Ball size	Φ0.8	Φ0.8	Φ0.8	Φ1.2	Φ0.8	Φ1.5875	Φ1.5875	Φ1.5875	Φ1.5875	Φ1.5875	Φ1.5875		
Number of thread	1	1	2	2	1	1	1	1	2	2	2		
Thread direction	Right												
Shaft root dia.	Φ5.3	Φ5.1	Φ5.2	Φ5.0	Φ7.3	Φ6.6	Φ6.3	Φ6.6	Φ6.7	Φ6.7	Φ6.7		
Number of circuit	3.7×1	2.7×1	1.6×2	1.2×2	3.7×1	3.7×1	2.7×1	2.7×1	1.6×2	1.6×2	1.6×2		
Shat, nut material	SCM415H												
Surface hardness	HRC58~62												
Anti-rust treatment	Anti-rust oil												
Nut size	A	B	C	D	H	W	X	Grade	Position accuracy	Total run out	Axial play	Dynamic load(N)	Static load(N)
BS0601	26	4	17	13	16	20	3.4	C7	±0.05	0.12	≤0.03	680	1200
BS0602	28	4	17	15	19	22	3.4	C7	±0.05	0.12	≤0.03	750	1450
BS0606	27	4	17	14	16	21	3.4	C7	±0.05	0.12	≤0.03	870	1600
BS0610	27	4	23	14	16	21	3.4	C7	±0.05	0.12	≤0.03	950	1650
BS0801	29	4	17	16	18	23	3.4	C7	±0.05	0.12	≤0.03	780	1650
BS0802	37	5	24	20	22	29	4.5	C7	±0.05	0.12	≤0.03	2400	4100
BS0802.5	29	4	16	16	18	23	3.4	C7	±0.05	0.12	≤0.03	1850	3000
BS0805	31	4	28	18	20	25	3.4	C7	±0.05	0.12	≤0.03	1850	3000
BS0808	31	4	20	18	20	25	3.4	C7	±0.05	0.12	≤0.03	2200	3800
BS0810	31	4	20	18	20	25	3.4	C7	±0.05	0.12	≤0.03	2200	3800
BS0812	31	4	24	18	20	25	3.4	C7	±0.05	0.12	≤0.03	2200	3800

2Phase Hybrid Stepper Motor

3Phase Hybrid Stepper Motor

5Phase Hybrid Stepper Motor

Hybrid Stepper Gear Motor

Lead Screw Linear Actuator

Ball Screw Linear Actuator

IP65 Stepper Motor

Hollow Shaft Stepper Motor

Stepper Motor With Brake

Pancake Stepper Motor

PM Stepper Motor

Can-Stack Stepper Linear Actuator

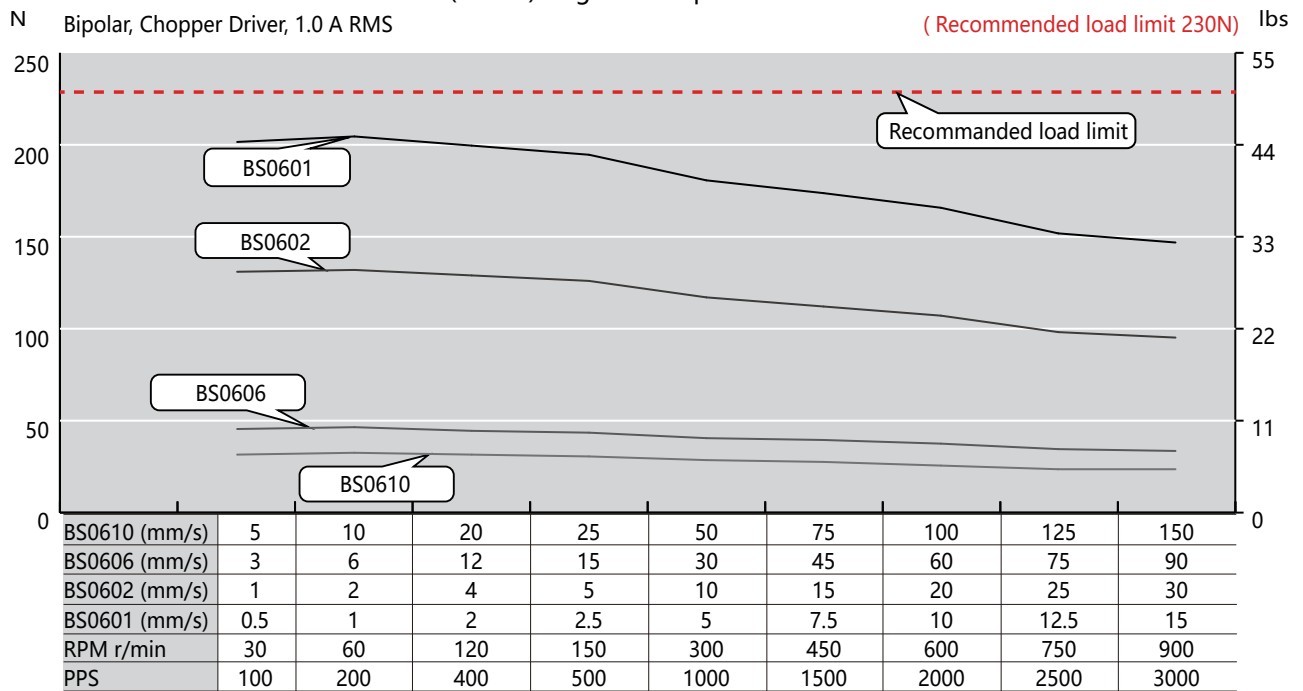
PM Stepper Gear Motor

Stepper Motor Drive

PHBS35 Series

Size 14 (35mm) Speed Thrust Curves

Size 14 (35mm) single stack speed thrust curves



Size 14 (35mm) double stack speed thrust curves

