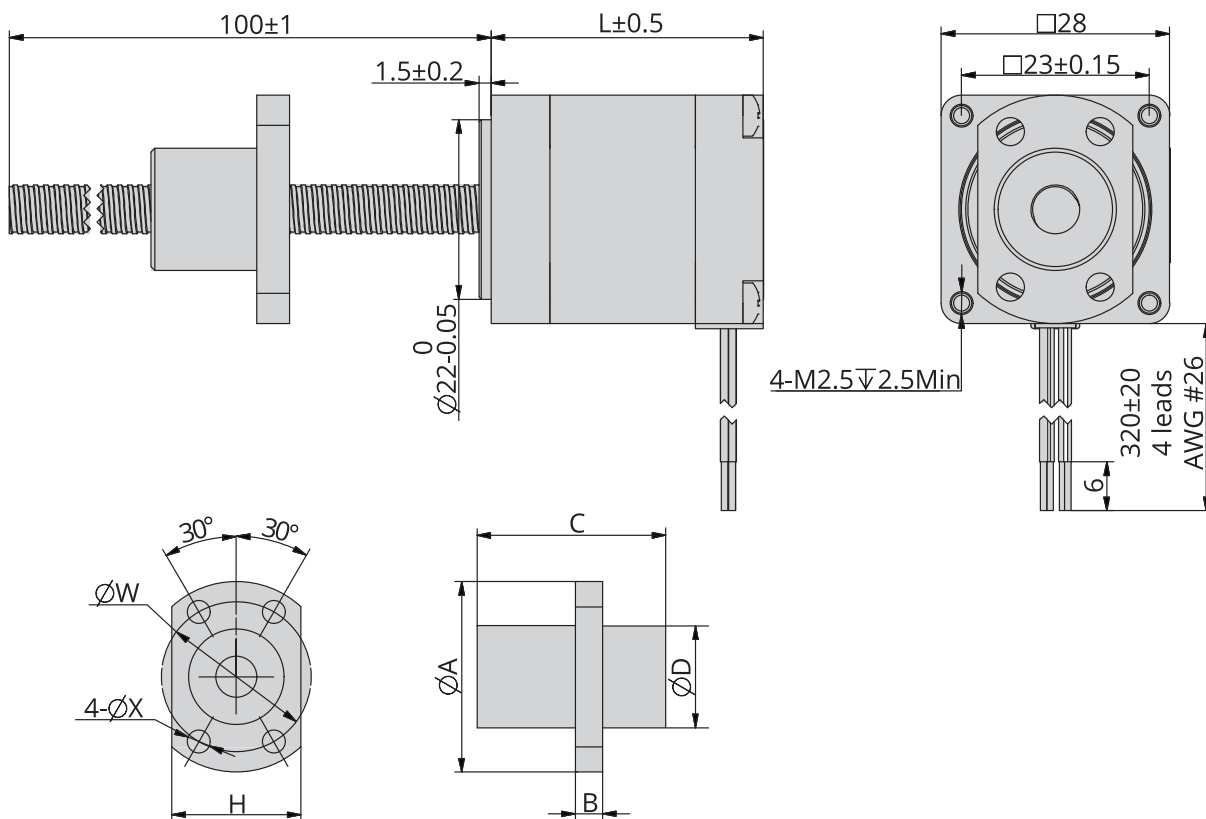


PHBS28 Series

Electrical Parameter

Model NO.	Rated Voltage	Current	Resistance	Inductance	Lead Wire	Motor Length
	V/∅	A/∅	Ω/∅	mH/∅	Pin	mm
PHBS28E34-4S10	2.1	1.0	2.1	1.5	4	33.5
PHBS28E45-4S10	3.9	0.95	4.1	4.0	4	45

Typical Dimension



2Phase Hybrid Stepper Motor

3Phase Hybrid Stepper Motor

5Phase Hybrid Stepper Motor

Hybrid Stepper Gear Motor

Lead Screw Linear Actuator

Ball Screw Linear Actuator

IP65 Stepper Motor

Hollow Shaft Stepper Motor

Stepper Motor With Brake

Pancake Stepper Motor

PM Stepper Motor

Can-Stack Stepper Linear Actuator

PM Stepper Gear Motor

Stepper Motor Drive

PHBS28 Series

■ **Ball Screw Specification**

Ball screw type		BS0601	BS0602	BS0606	BS0610	BS0504							
Ball size		Φ0.8	Φ0.8	Φ0.8	Φ1.2	Φ0.8							
Number of thread		1	1	2	2	1							
Thread direction		Right											
Shaft root dia.		Φ5.3	Φ5.1	Φ5.2	Φ5.0	Φ4.3							
Number of circuit		3.7×1	2.7×1	1.6×2	1.2×2	2.7×1							
Shat, nut material		SCM415H											
Surface hardness		HRC58~62											
Anti-rust treatment		Anti-rust oil											
Nut size	A	B	C	D	H	W	X	Grade	Position accuracy	Total run out	Axial play	Dynamic load(N)	Static load(N)
BS0601	26	4	17	13	16	20	3.4	C7	±0.05	0.12	≤0.03	680	1200
BS0602	28	4	17	15	19	22	3.4	C7	±0.05	0.12	≤0.03	750	1450
BS0606	27	4	17	14	16	21	3.4	C7	±0.05	0.12	≤0.03	870	1600
BS0610	27	4	23	14	16	21	3.4	C7	±0.05	0.12	≤0.03	950	1650
BS0504	24	4	22	12	16	18	3.4	C7	±0.05	0.12	≤0.03	470	720

Ball Screw
Linear
Actuator

IP65
Stepper
Motor

Hollow
Shaft
Stepper Motor

Stepper
Motor
With Brake

Pancake
Stepper
Motor

PM
Stepper
Motor

Can-Stack
Stepper
Linear Actuator

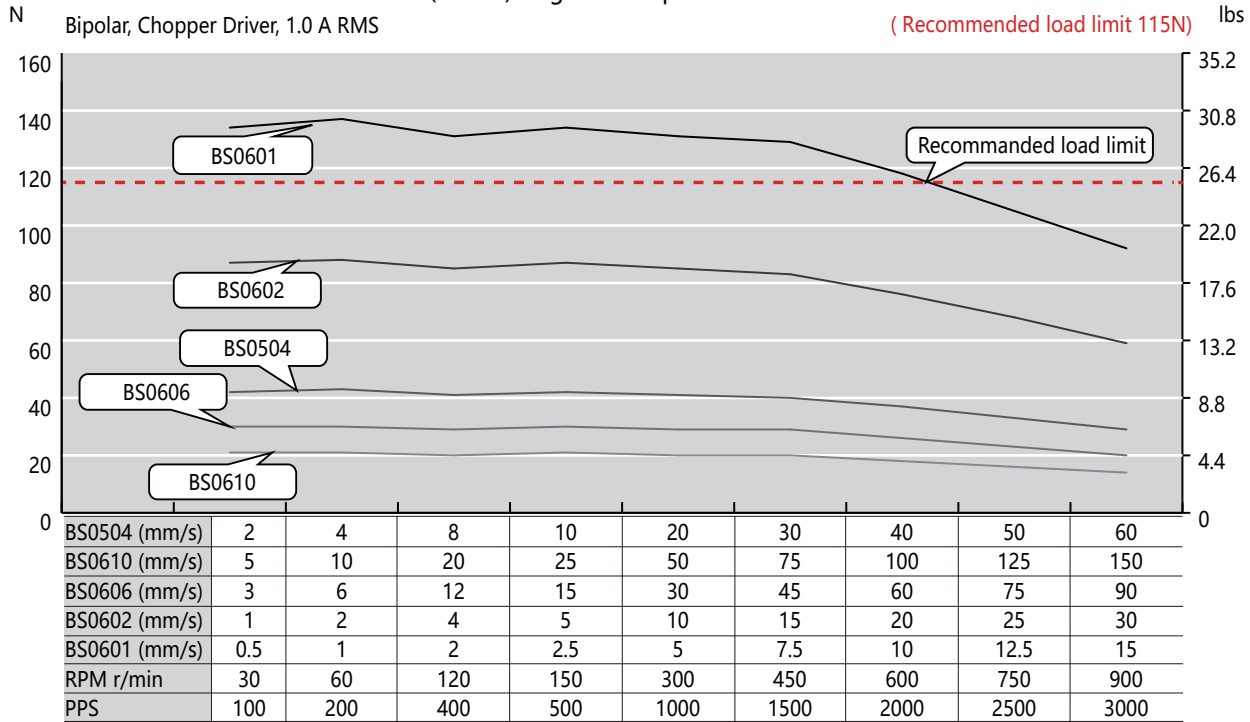
PM
Stepper
Gear Motor

Stepper
Motor
Drive

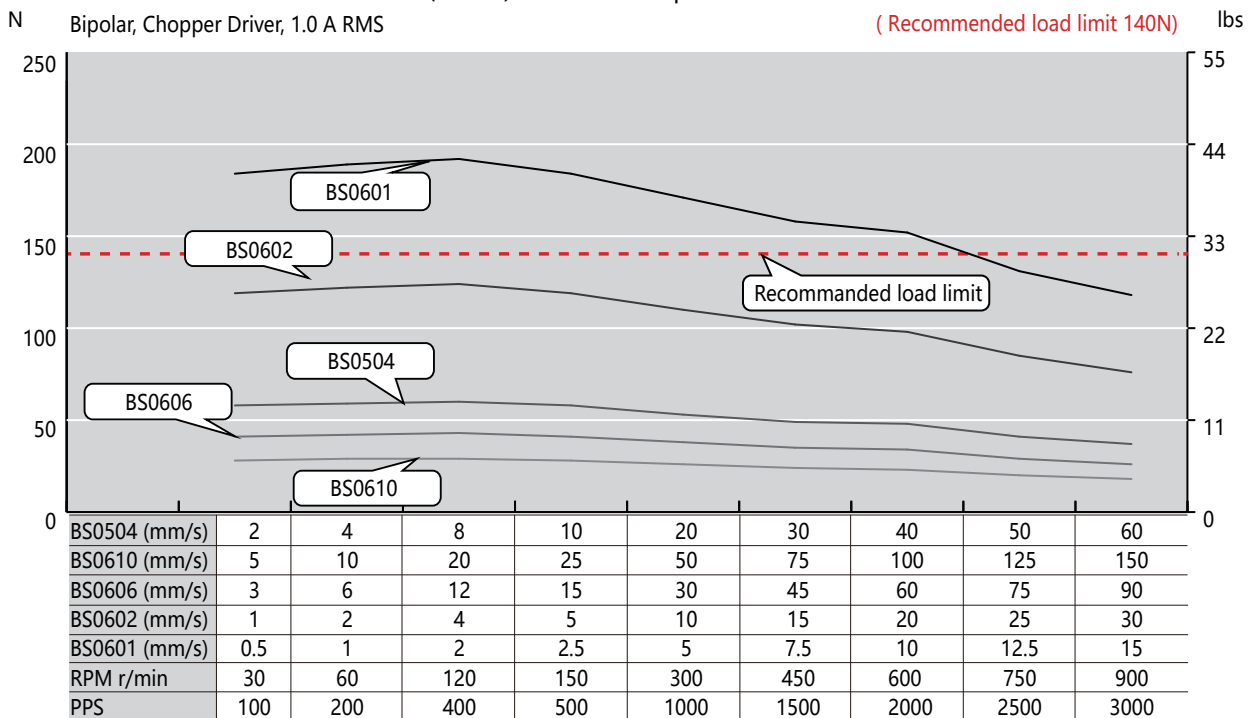
PHBS28 Series

Size 11 (28mm) Speed Thrust Curves

Size 11 (28mm) single stack speed thrust curves



Size 11 (28mm) double stack speed thrust curves



2Phase Hybrid Stepper Motor

3Phase Hybrid Stepper Motor

5Phase Hybrid Stepper Motor

Hybrid Stepper Gear Motor

Lead Screw Linear Actuator

Ball Screw Linear Actuator

IP65 Stepper Motor

Hollow Shaft Stepper Motor

Stepper Motor With Brake

Pancake Stepper Motor

PM Stepper Motor

Can-Stack Stepper Linear Actuator

PM Stepper Gear Motor

Stepper Motor Drive