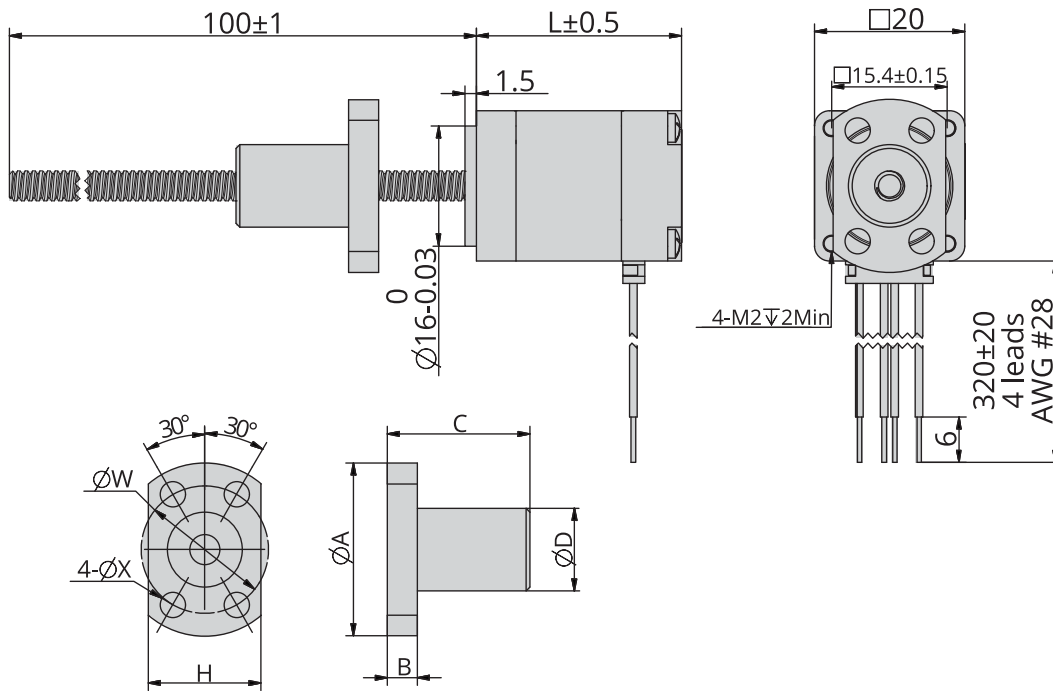


PHBS20 Series

Electrical Parameter

Model NO.	Rated Voltage	Current	Resistance	Inductance	Lead Wire	Motor Length
	V/∅	A/∅	Ω/∅	mH/∅	Pin	mm
PHBS20E30-4S05	2.55	0.5	5.1	1.5	4	27.2
PHBS20E40-4S05	4.4	0.5	8.8	2.7	4	38.1

Typical Dimension



Ball Screw Specification

Ball screw type	BS0401		BS0402										
Ball size	∅0.8		∅0.8										
Number of thread	1		1										
Thread direction	Right												
Shaft root dia.	A 3.3		A 3.3										
Number of circuit	3.7Á1		2.7Á1										
Shat, nut material	SCM415H												
Surface hardness	HRC58~62												
Anti-rust treatment	Anti-rust oil												
Nut size	A	B	C	D	H	W	X	Grade	Position accuracy	Total run out	Axial play	Dynamic load(N)	Static load(N)
BS0401	23	4	17	11	15	17	3.4	C7	±0.05	0.12	≤0.03	560	790
BS0402	23	4	19	11	15	17	3.4	C7	±0.05	0.12	≤0.03	420	570

PHBS20 Series

Size 8 (20mm) Speed Thrust Curves

