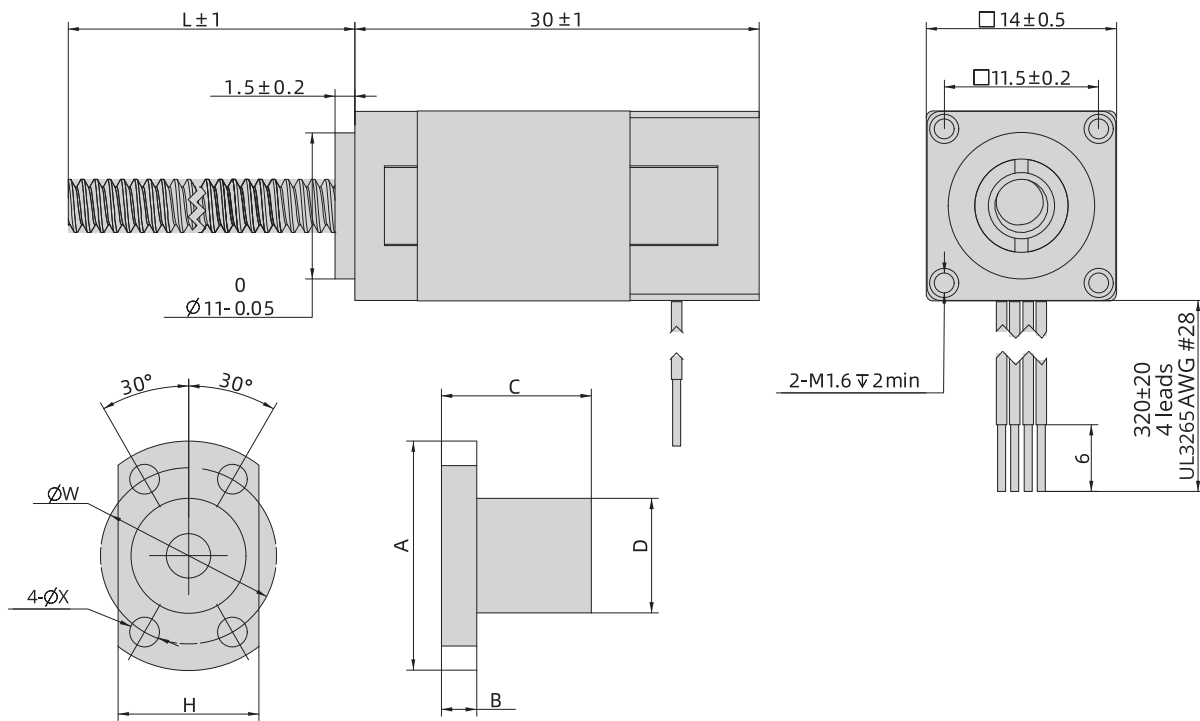


PHBS14 Series

Electrical Parameter

Model NO.	Rated Voltage	Current	Resistance	Inductance	Lead Wire	Motor Length
	V/φ	A/φ	Ω/φ	mH/φ	Pin	mm
PHBS14E30-4S03	6.6	0.3	22	3.6	4	30

Typical Dimension



Ball Screw Specification

Ball screw type	BS0401		BS0402										
Ball size	φ0.8		φ0.8										
Number of thread	1		1										
Thread direction	Right												
Shaft root dia.	φ3.3		φ3.3										
Number of circuit	3.7x1		2.7x1										
Shat, nut material	SCM415H												
Surface hardness	HRC58~62												
Anti-rust treatment	Anti-rust oil												
Nut size	A	B	C	D	H	W	X	Grade	Position accuracy	Total run out	Axial play	Dynamic load(N)	Static load(N)
BS0401	23	4	17	11	15	17	3.4	C7	±0.05	0.12	≤0.03	560	790
BS0402	23	4	19	11	15	17	3.4	C7	±0.05	0.12	≤0.03	420	570

2Phase Hybrid Stepper Motor

3Phase Hybrid Stepper Motor

5Phase Hybrid Stepper Motor

Hybrid Stepper Gear Motor

Lead Screw Linear Actuator

Ball Screw Linear Actuator

IP65 Stepper Motor

Hollow Shaft Stepper Motor

Stepper Motor With Brake

Pancake Stepper Motor

PM Stepper Motor

Can-Stack Stepper Linear Actuator

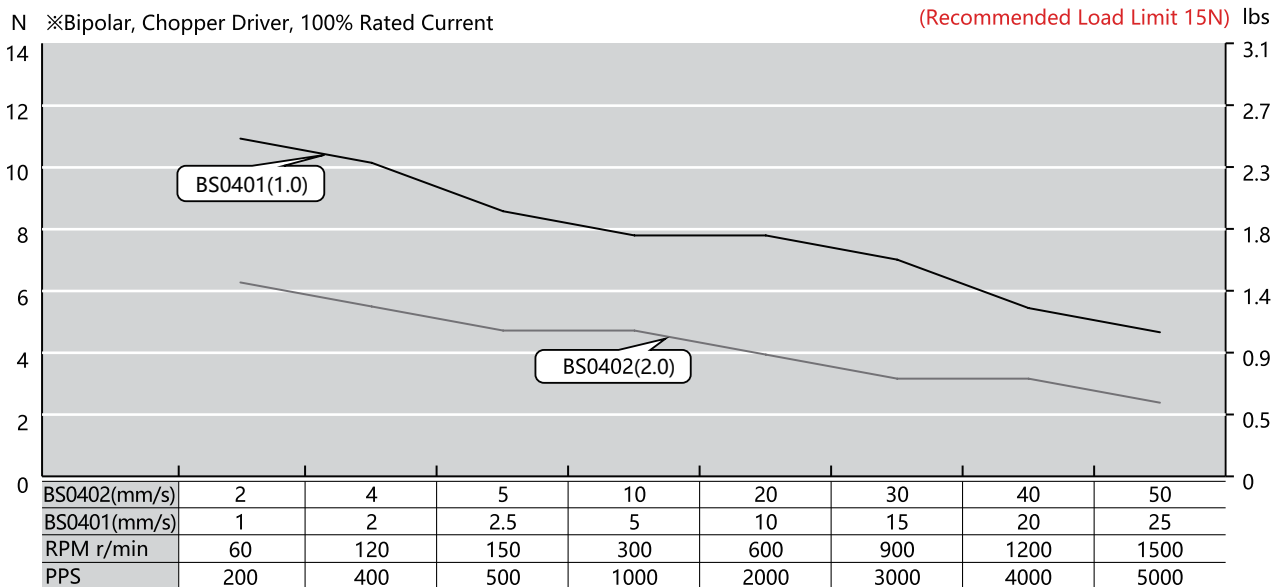
PM Stepper Gear Motor

Stepper Motor Drive

PHBS14 Series

Size 6 (14mm) Speed Thrust Curves

Size 6 Single Stack Speed Thrust Curves



2Phase Hybrid Stepper Motor

3Phase Hybrid Stepper Motor

5Phase Hybrid Stepper Motor

Hybrid Stepper Gear Motor

Lead Screw Linear Actuator

Ball Screw Linear Actuator

IP65 Stepper Motor

Hollow Shaft Stepper Motor

Stepper Motor With Brake

Pancake Stepper Motor

PM Stepper Motor

Can-Stack Stepper Linear Actuator

PM Stepper Gear Motor

Stepper Motor Drive