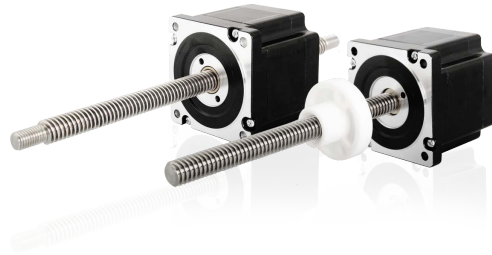


NEMA 34 Lead Screw Type

Hybrid Linear Actuator

PHBL86 Series

| | |
|-----------------------|--|
| Ambient Temperature | -20 °C ~ +50 °C |
| Temperature Rise | 80 °C Max. (rated current, 2 phase on) |
| Dielectric Strength | 500 VAC for one minute |
| Insulation Resistance | Class B (Class F also available) |



Motor Specs

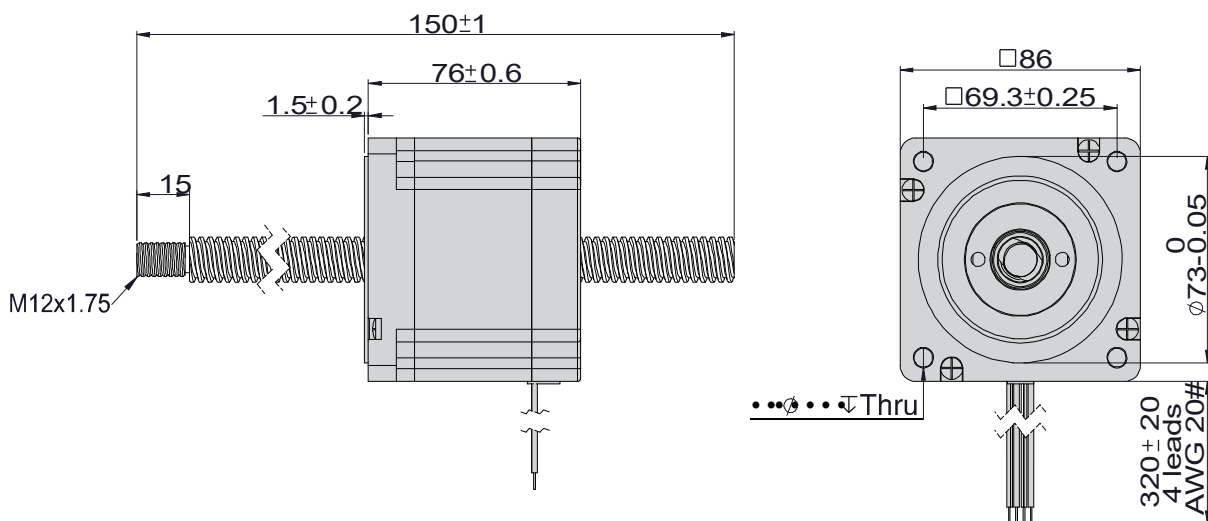
| Model | Voltage | | Current | | Resistance | | Inductance | | Lead Wire | | Motor Length | |
|----------------|---------|-----|---------|------|------------|--------|------------|--|-----------|--|--------------|--|
| | V/∅ | A/∅ | Ω/∅ | mH/∅ | Pin | inch | mm | | | | | |
| PHBL86□80-4S13 | 12.0 | 1.3 | 9.2 | 71.0 | 4 | 3.1496 | 76 | | | | | |
| PHBL86□80-4S30 | 5.1 | 3.0 | 1.7 | 15.0 | 4 | 3.1496 | 76 | | | | | |
| PHBL86□80-4S55 | 2.85 | 5.5 | 0.52 | 4.5 | 4 | 3.1496 | 76 | | | | | |

Note: Non-captive type (N) or External type (E) is available, and please specify it with the blank box when ordering.

Lead Screw Specs

| Lead Code | Screw Dia. | | Lead | | Travel/Step @ 1.8Deg* | | Travel/Step @ 0.9Deg* | |
|-----------|------------|--------|-------|-------|-----------------------|--------|-----------------------|--------|
| | inch | mm | inch | mm | inch | mm | inch | mm |
| K | 0.625 | 15.875 | 0.1 | 2.54 | 0.0005 | 0.012 | 0.00025 | 0.006 |
| L | 0.625 | 15.875 | 0.125 | 3.175 | 0.00063 | 0.015 | 0.00031 | 0.0075 |
| R | 0.625 | 15.875 | 0.2 | 5.08 | 0.001 | 0.025 | 0.0005 | 0.0125 |
| S | 0.625 | 15.875 | 0.25 | 6.35 | 0.00125 | 0.031 | 0.00063 | 0.0155 |
| Y | 0.625 | 15.875 | 0.5 | 12.7 | 0.0025 | 0.0635 | 0.00125 | 0.0318 |
| Z | 0.625 | 15.875 | 1.0 | 25.4 | 0.005 | 0.127 | 0.0025 | 0.0635 |

Typical Dimension Non-captive



2Phase Hybrid Stepper Motor

3Phase Hybrid Stepper Motor

5Phase Hybrid Stepper Motor

Hybrid Stepper Gear Motor

Lead Screw Linear Actuator

Ball Screw Linear Actuator

IP65 Stepper Motor

Hollow Shaft Stepper Motor

Stepper Motor With Brake

Pancake Stepper Motor

PM Stepper Motor

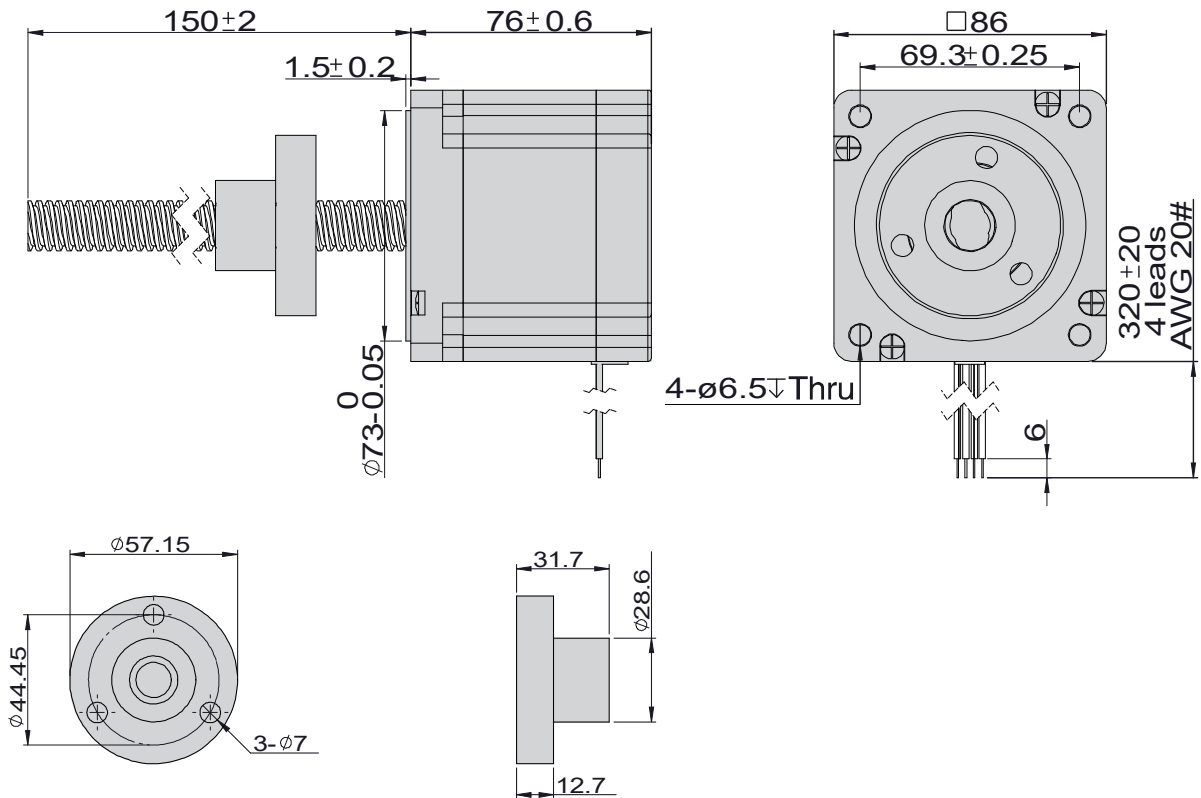
Can-Stack Stepper Linear Actuator

PM Stepper Gear Motor

Stepper Motor Drive

PHBL86 Series

External



Speed Thrust Curves

Size 34 Single Stack Speed Thrust Curves

