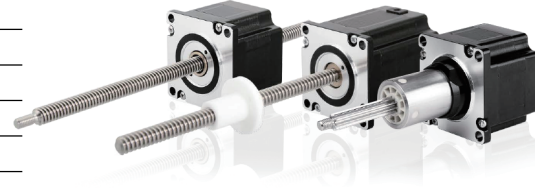


PHBL57 Series

Ambient Temperature	-20 °C ~ +50 °C
Temperature Rise	80 °C Max. (rated current, 2 phase on)
Dielectric Strength	500 VAC for one minute
Insulation Resistance	Class B (Class F also available)



Motor Specs

Model	Voltage	Current	Resistance	Inductance	Lead Wire	Motor Length	
	V/∅	A/∅	Ω/∅	mH/∅	Pin	inch	mm
PHBL57□45-4S10	6.4	1.0	6.4	16.4	4	1.77	45
PHBL57□45-4S20	3.2	2.0	1.75	4.1	4	1.77	45
PHBL57□45-4S30	2.1	3.0	0.8	1.7	4	1.77	45
PHBL57□65-4S10	10.8	1.0	11.5	32.0	4	2.56	65
PHBL57□65-4S25	4.2	2.5	2.0	5.2	4	2.56	65
PHBL57□65-4S40	2.4	4.0	0.7	2.0	4	2.56	65

Note: Non-captive type (N), External type (E) or Captive type (C) is available, and please specify it with the blank box when ordering.

Lead Screw Specs

Lead Code	Screw Dia.		Lead		Travel/Step @ 1.8Deg*	Travel/Step @ 0.9Deg*
	inch	mm	inch	mm	mm	mm
G	0.315	10.000	0.079	2.0	0.01	0.005
A	0.375	9.525	0.025	0.635	0.0032	0.0016
D	0.375	9.525	0.05	1.27	0.0064	0.0032
F	0.375	9.525	0.0625	1.5875	0.0079	0.004
H	0.375	9.525	0.083	2.1167	0.0106	0.0053
K	0.375	9.525	0.1	2.54	0.0127	0.0064
L	0.375	9.525	0.125	3.175	0.0159	0.0079
P	0.375	9.525	0.167	4.2333	0.0212	0.0106
R	0.375	9.525	0.2	5.08	0.0254	0.0127
S	0.375	9.525	0.25	6.35	0.0318	0.0159
V	0.375	9.525	0.375	9.525	0.0476	0.0238
W	0.375	9.525	0.384	9.7536	0.0488	0.0244
X	0.375	9.525	0.4	10.16	0.0508	0.0254
Y	0.375	9.525	0.5	12.7	0.0635	0.0318
Z	0.375	9.525	1.0	25.4	0.127	0.0635

\*values truncated

2Phase Hybrid Stepper Motor

3Phase Hybrid Stepper Motor

5Phase Hybrid Stepper Motor

Hybrid Stepper Gear Motor

Lead Screw Linear Actuator

Ball Screw Linear Actuator

IP65 Stepper Motor

Hollow Shaft Stepper Motor

Stepper Motor With Brake

Pancake Stepper Motor

PM Stepper Motor

Can-Stack Stepper Linear Actuator

PM Stepper Gear Motor

Stepper Motor Drive

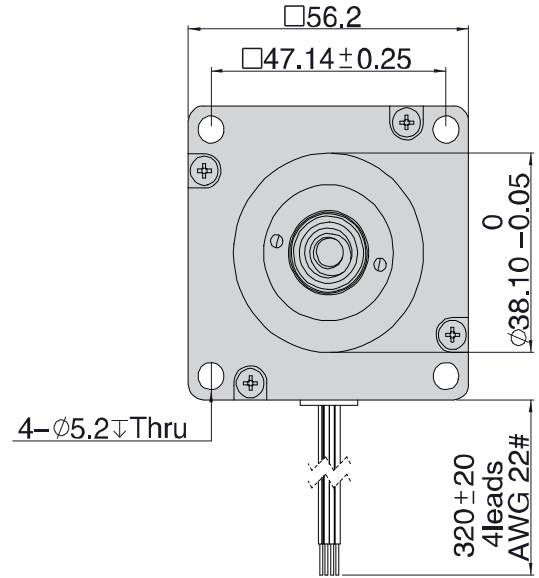
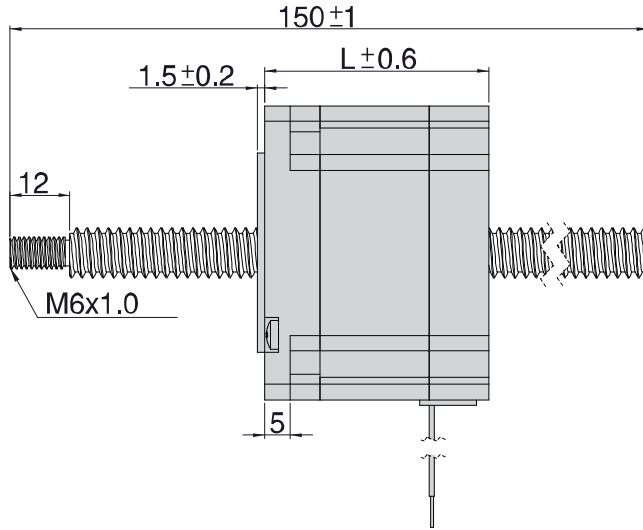
NEMA 23 Lead Screw Type

Hybrid Linear Actuator

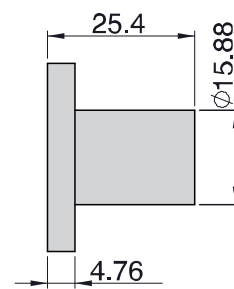
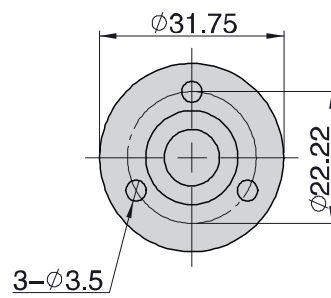
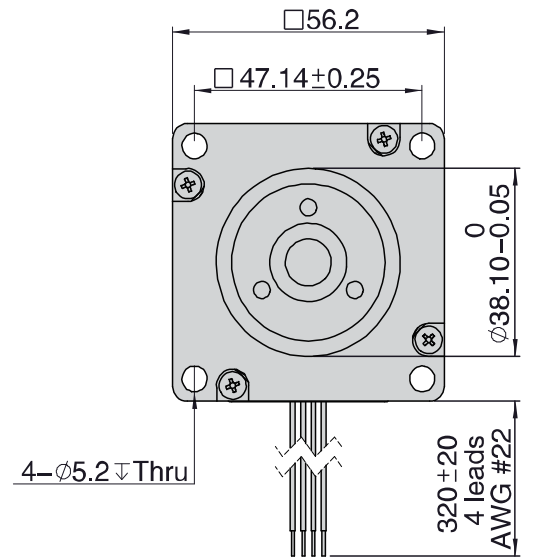
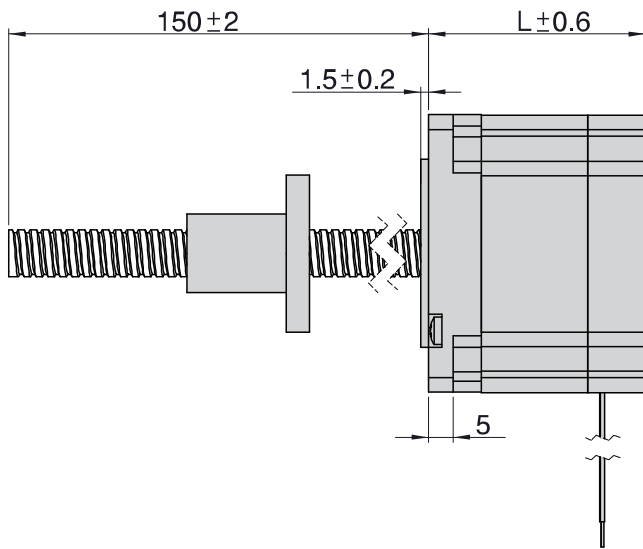
PHBL57 Series

Typical Dimension

Non-captive

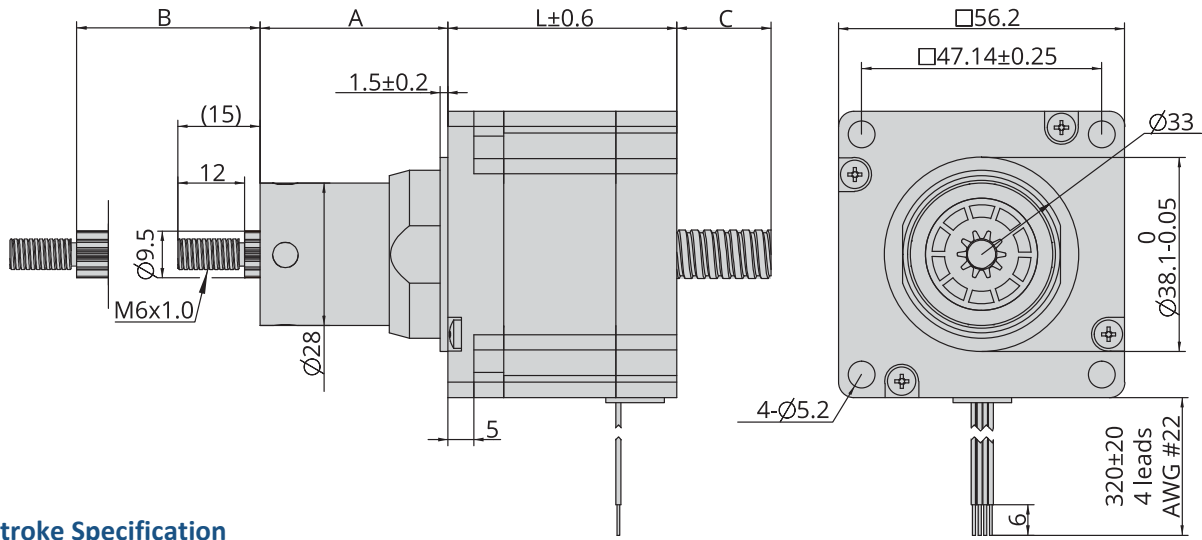


External



PHBL57 Series

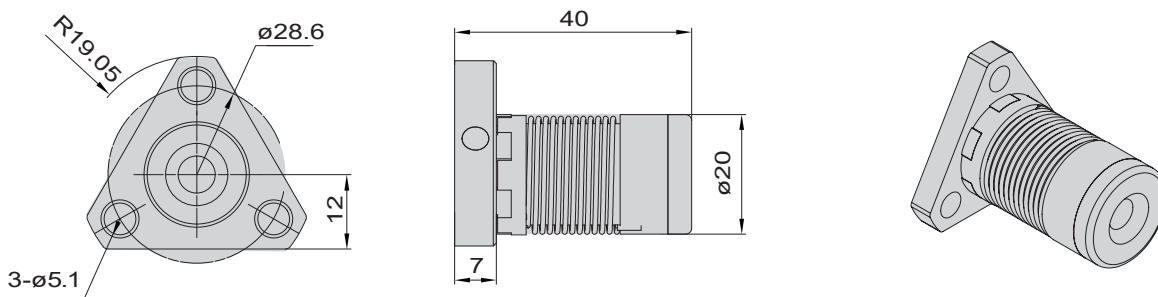
Non-captive



Stroke Specification

Stroke B (mm)	A (mm)	C (mm)	
		L=45	L=65
12.70	24.20	5.80	0.00
19.05	30.55	12.15	2.15
25.40	36.90	18.50	8.50
31.80	43.25	24.85	14.85
38.10	49.60	31.20	21.20
50.80	62.30	43.90	33.90
63.50	75.00	56.60	46.60

Anti-backlash Nut



2Phase Hybrid Stepper Motor

3Phase Hybrid Stepper Motor

5Phase Hybrid Stepper Motor

Hybrid Stepper Gear Motor

Lead Screw Linear Actuator

Ball Screw Linear Actuator

IP65 Stepper Motor

Hollow Shaft Stepper Motor

Stepper Motor With Brake

Pancake Stepper Motor

PM Stepper Motor

Can-Stack Stepper Linear Actuator

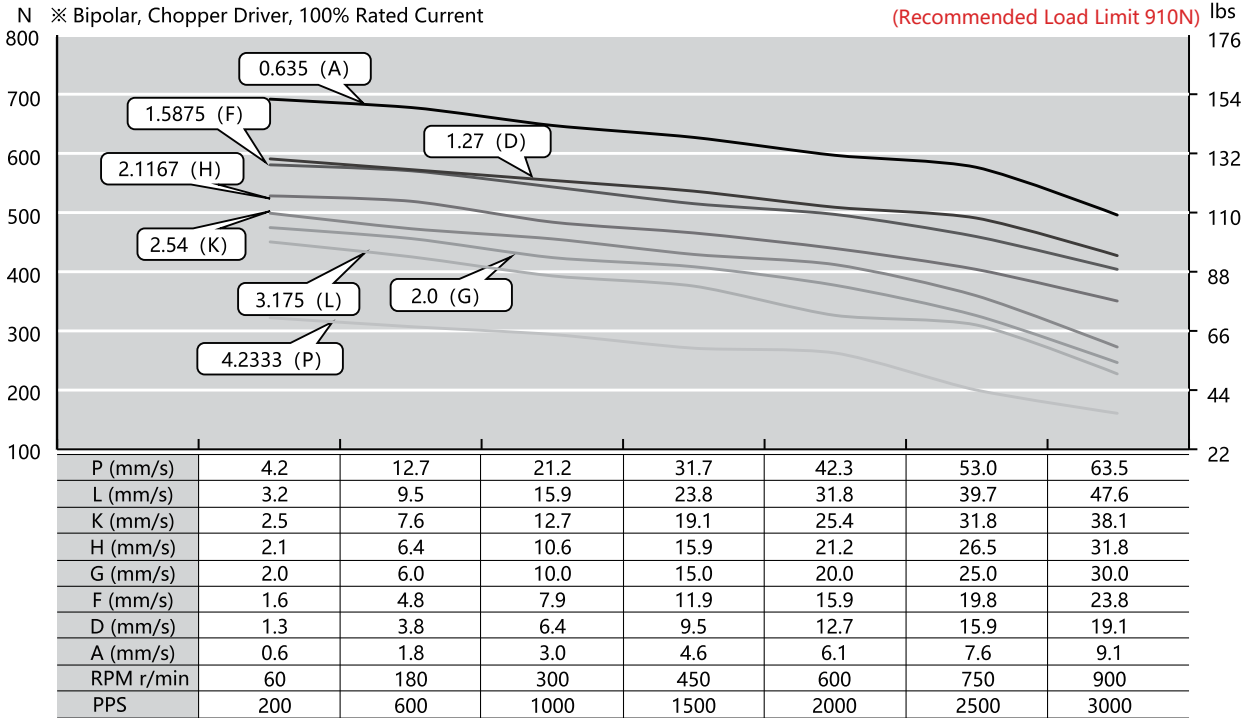
PM Stepper Gear Motor

Stepper Motor Drive

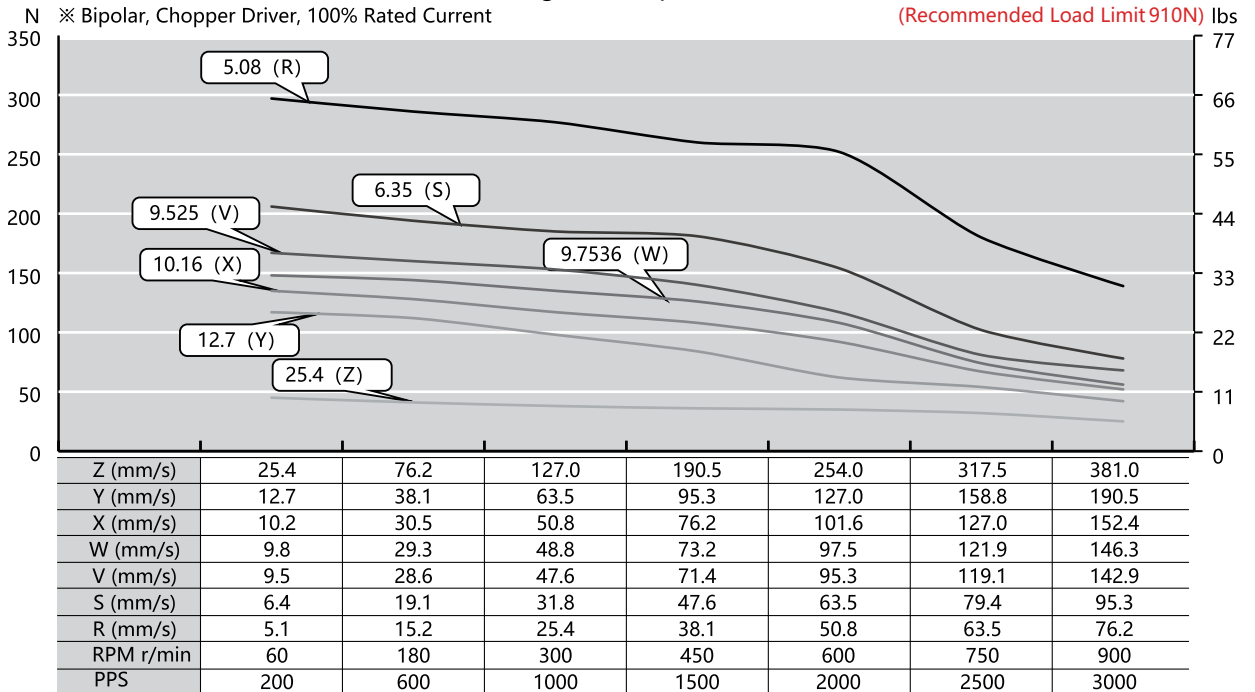
PHBL57 Series

Speed Thrust Curves

Size 23 Single Stack Speed Thrust Curves

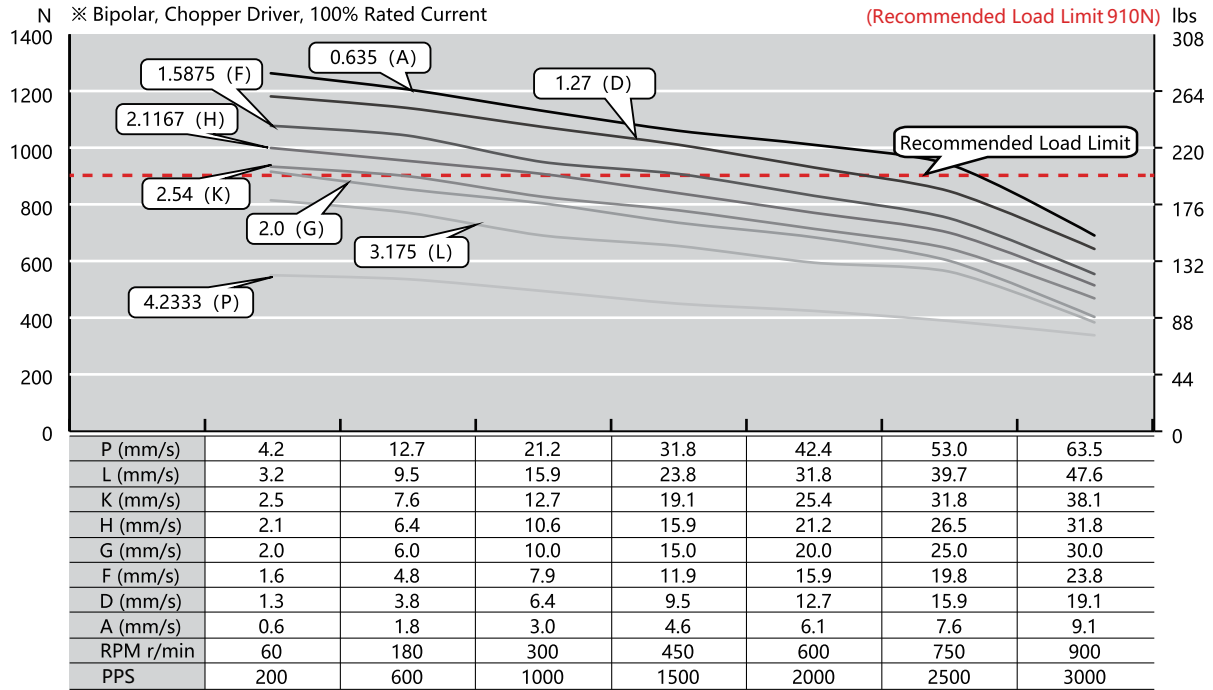


Size 23 Single Stack Speed Thrust Curves

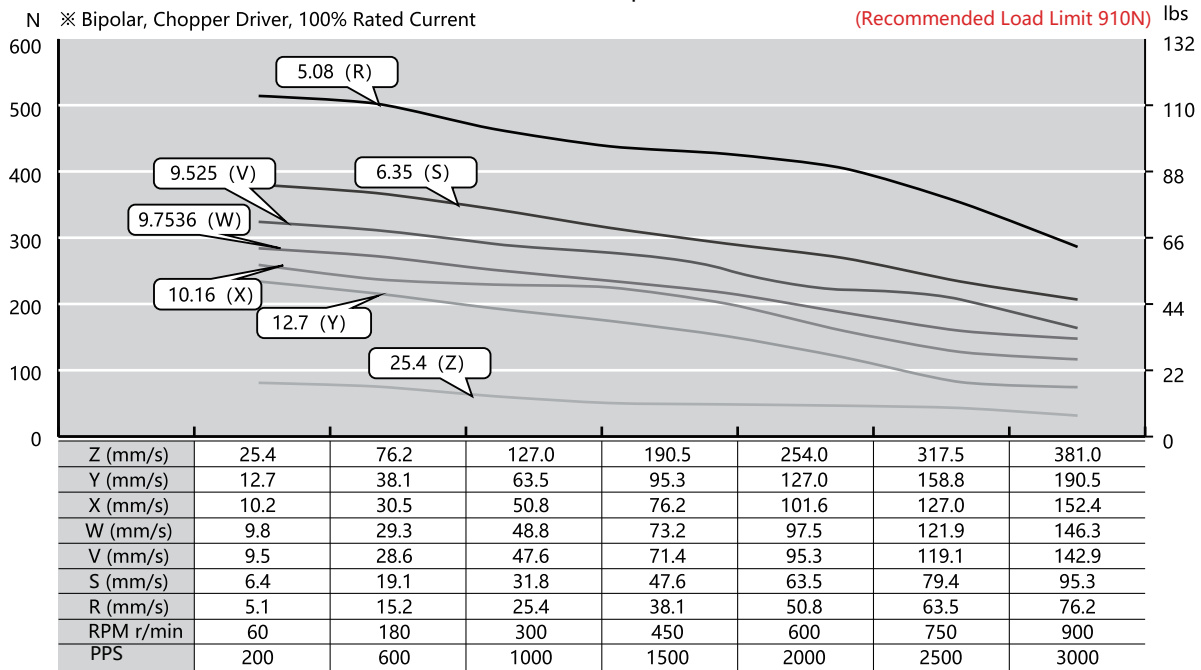


PHBL57 Series

Size 23 Double Stack Speed Thrust Curves



Size 23 Double Stack Speed Thrust Curves



2Phase Hybrid Stepper Motor

3Phase Hybrid Stepper Motor

5Phase Hybrid Stepper Motor

Hybrid Stepper Gear Motor

Lead Screw Linear Actuator

Ball Screw Linear Actuator

IP65 Stepper Motor

Hollow Shaft Stepper Motor

Stepper Motor With Brake

Pancake Stepper Motor

PM Stepper Motor

Can-Stack Stepper Linear Actuator

PM Stepper Gear Motor

Stepper Motor Drive