

PHBL35 Series

Ambient Temperature	-20 °C ~ +50 °C
Temperature Rise	80 °C Max. (rated current, 2 phase on)
Dielectric Strength	500 VAC for one minute
Insulation Resistance	Class B (Class F also available)



Motor Specs

Model	Voltage	Current	Resistance	Inductance	Lead Wire	Motor Length	
	V/∅	A/∅	Ω/∅	mH/∅	Pin	inch	mm
PHBL35□34-4S05	6.6	0.5	13.2	14.0	4	1.3780	33.6
PHBL35□34-4S10	3.3	1.0	3.3	3.6	4	1.3780	33.6
PHBL35□34-4S15	2.2	1.5	1.5	1.6	4	1.3780	33.6
PHBL35□46-4S05	12.0	0.5	24.0	29.0	4	1.8504	45.6
PHBL35□46-4S10	6.0	1.0	6.0	7.2	4	1.8504	45.6
PHBL35□46-4S15	4.0	1.5	2.7	1.8	4	1.8504	45.6

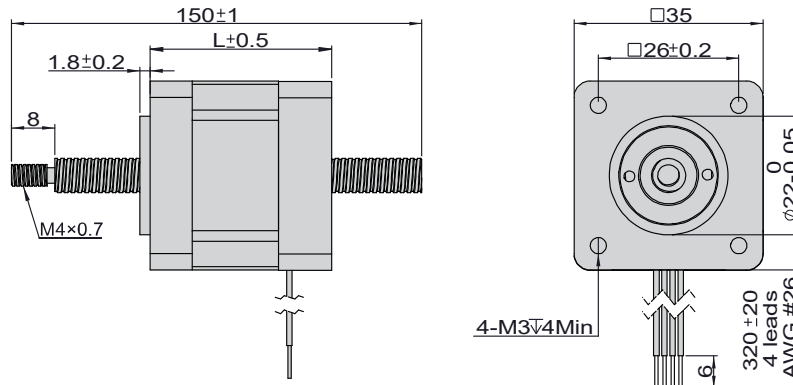
Note: Non-captive type (N), External type (E) or Captive type (C) is available, and please specify it with the blank box when ordering.

Lead Screw Specs

Lead Code	Screw Dia.		Lead		Travel/Step @ 1.8Deg*		Travel/Step @ 0.9Deg*	
	inch	mm	inch	mm	inch	mm	inch	mm
AA	0.25	6.35	0.024	0.6096	0.00012	0.003	0.00006	0.0015
AB	0.25	6.35	0.039	1.0000	0.00020	0.005	0.00010	0.0025
B	0.25	6.35	0.048	1.2192	0.00024	0.006	0.00012	0.003
D	0.25	6.35	0.05	1.27	0.00025	0.006	0.00013	0.0032
F	0.25	6.35	0.063	1.6002	0.00032	0.008	0.00016	0.004
J	0.25	6.35	0.096	2.4384	0.00048	0.012	0.00024	0.0061
K	0.25	6.35	0.1	2.54	0.0005	0.013	0.00025	0.0064
L	0.25	6.35	0.125	3.175	0.0006	0.016	0.00031	0.0079
Q	0.25	6.35	0.192	4.8768	0.00096	0.024	0.00048	0.0122
S	0.25	6.35	0.25	6.35	0.00125	0.032	0.00061	0.0155
U	0.25	6.35	0.33	8.382	0.00167	0.042	0.0008	0.021
W	0.25	6.35	0.384	9.7536	0.00192	0.049	0.001	0.024
Y	0.25	6.35	0.5	12.7	0.0025	0.0635	0.00125	0.0318
Z	0.25	6.35	1.0	25.4	0.005	0.127	0.0025	0.0635
M	0.31	8.00	0.1575	4.0	0.00079	0.02	0.00039	0.01
T	0.31	8.00	0.315	8.0	0.00157	0.04	0.00079	0.02
G	0.31	8.00	0.0787	2.0	0.00039	0.01	0.00020	0.005

\*Values truncated

Typical Dimension Non-captive



2Phase Hybrid Stepper Motor

3Phase Hybrid Stepper Motor

5Phase Hybrid Stepper Motor

Hybrid Stepper Gear Motor

Lead Screw Linear Actuator

Ball Screw Linear Actuator

IP65 Stepper Motor

Hollow Shaft Stepper Motor

Stepper Motor With Brake

Pancake Stepper Motor

PM Stepper Motor

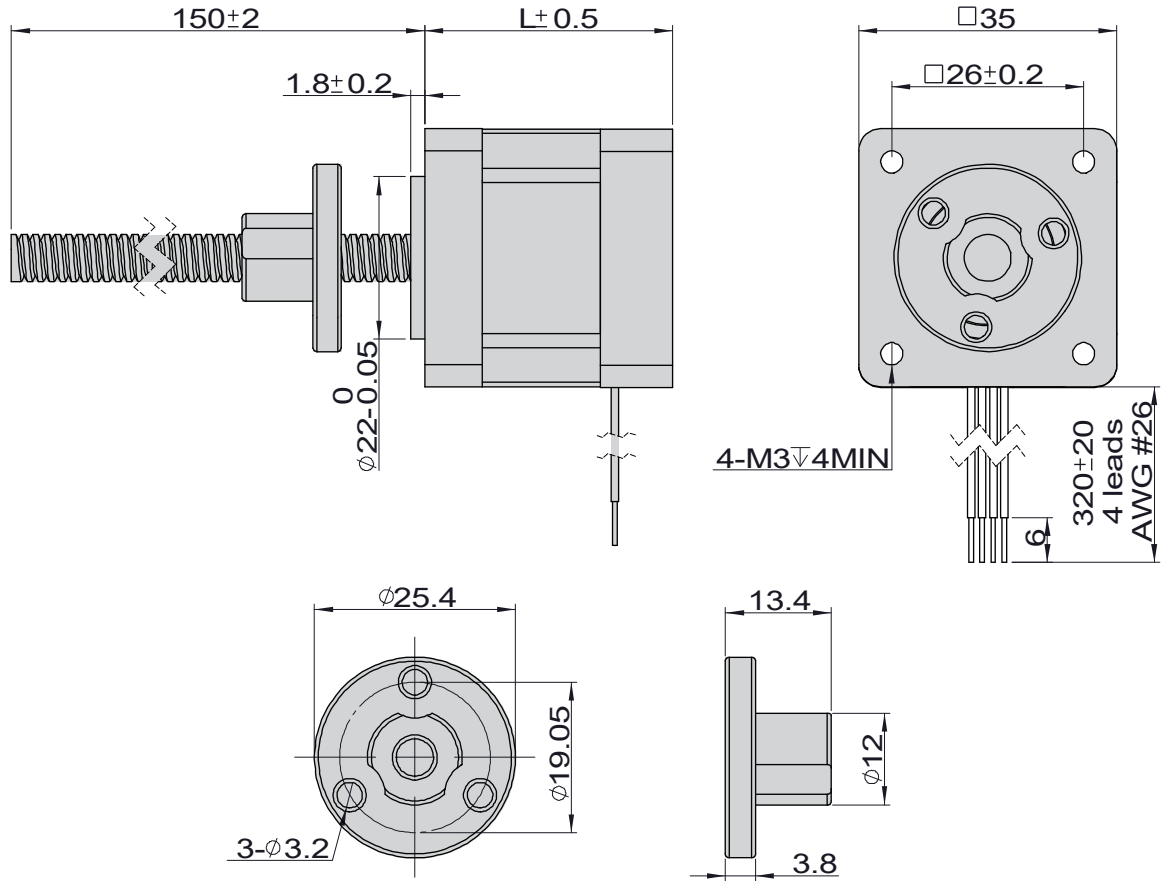
Can-Stack Stepper Linear Actuator

PM Stepper Gear Motor

Stepper Motor Drive

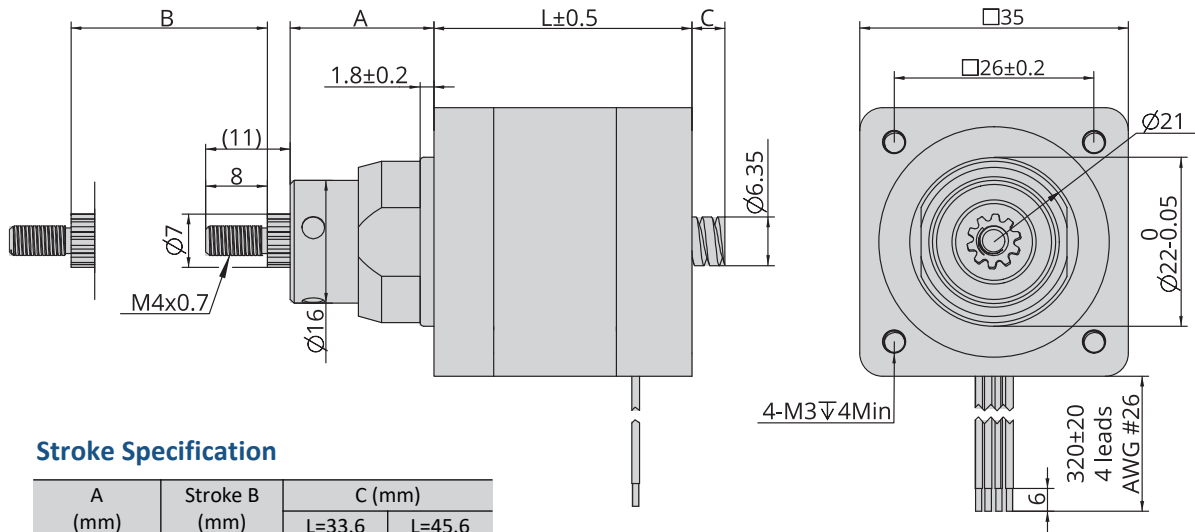
**PHBL35 Series**

**External**



PHBL35 Series

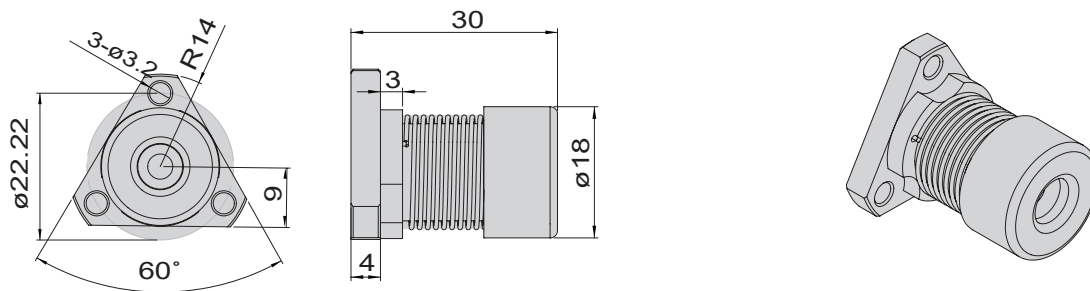
Captive



Stroke Specification

A (mm)	Stroke B (mm)	C (mm)	
		L=33.6	L=45.6
18.70	12.70	4.30	1.30
25.05	19.05	10.65	7.65
31.40	25.40	17.00	14.00
37.75	31.75	23.35	20.35
44.10	38.10	29.70	26.70
56.80	50.80	42.40	39.40
69.50	63.50	55.10	52.10

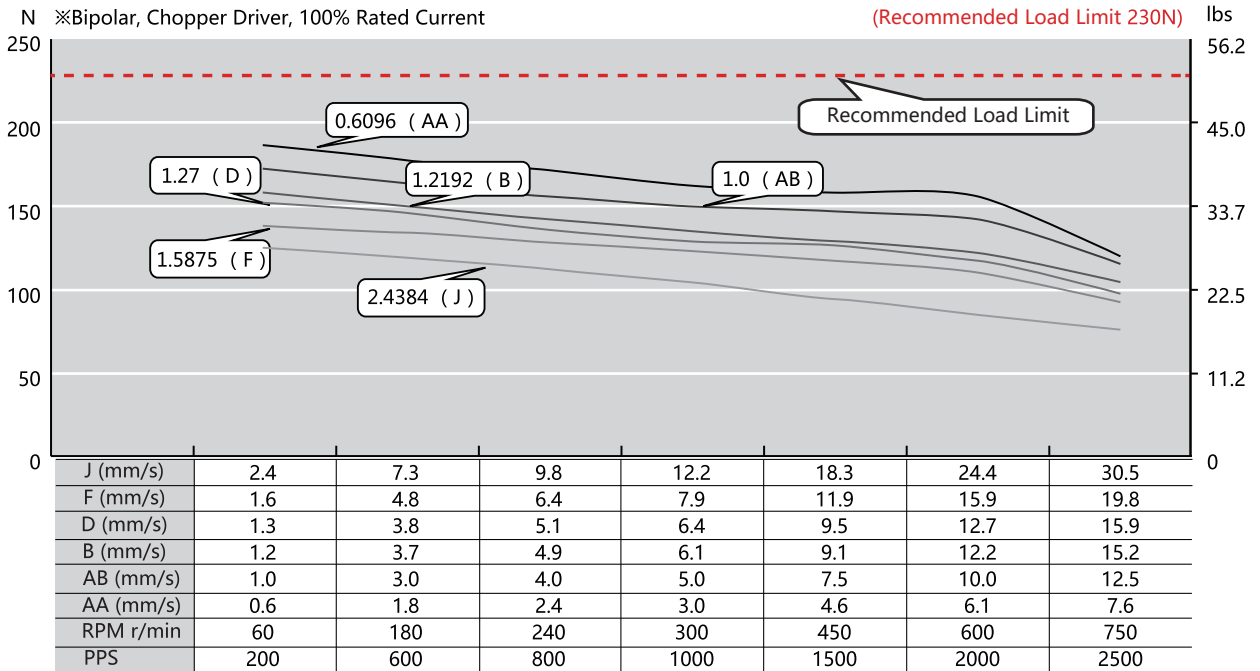
Anti-backlash Nut



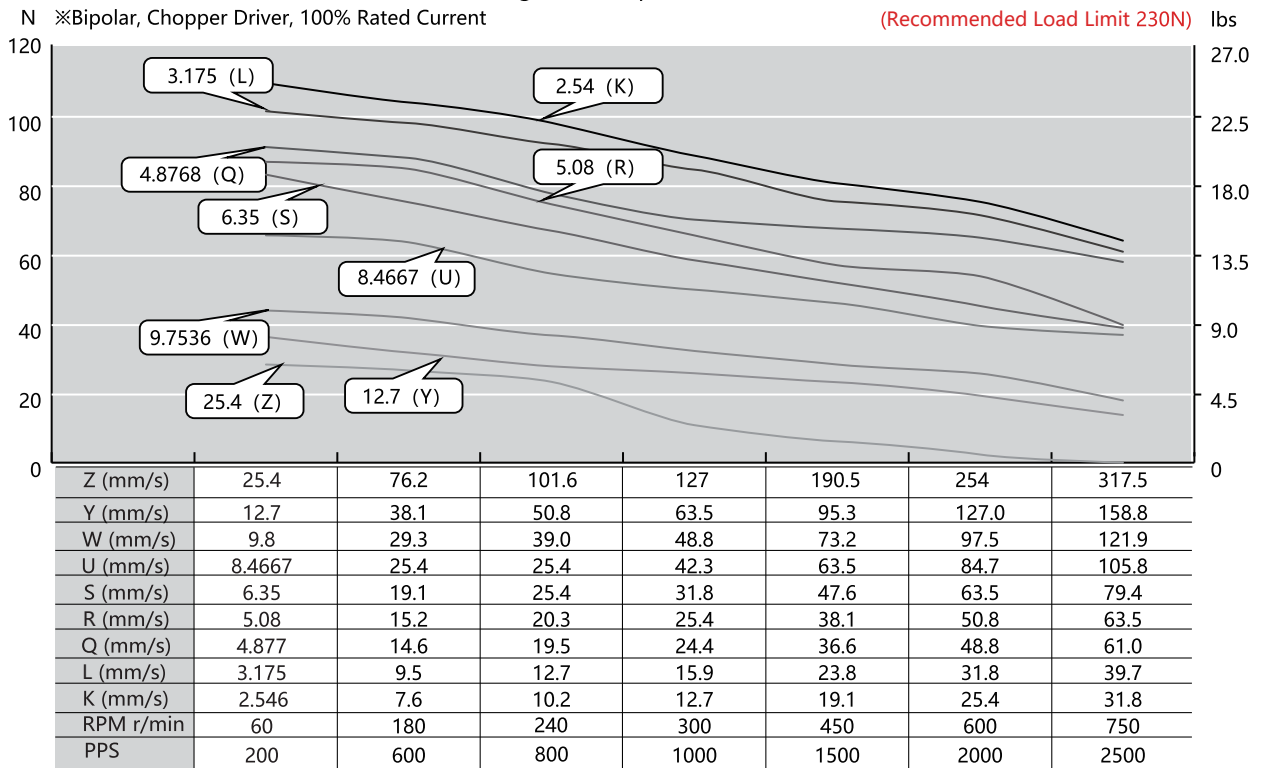
PHBL35 Series

Speed Thrust Curves

Size 14 Single Stack Speed Thrust Curves

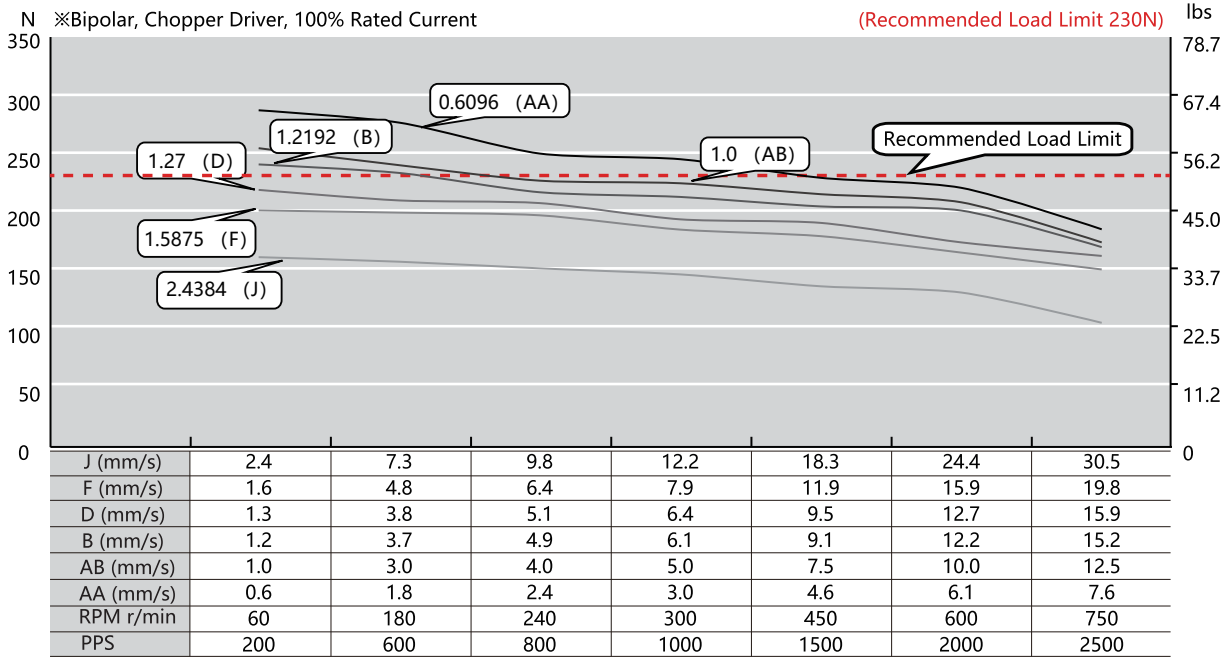


Size 14 Single Stack Speed Thrust Curves



PHBL35 Series

Size 14 Double Stack Speed Thrust Curves



Size 14 Double Stack Speed Thrust Curves

