

PHBL14 Series

Ambient Temperature	-20 °C ~ +50 °C
Temperature Rise	80 °C Max. (rated current, 2 phase on)
Dielectric Strength	500 VAC for one minute
Insulation Resistance	Class B (Class F also available)



Motor Specs

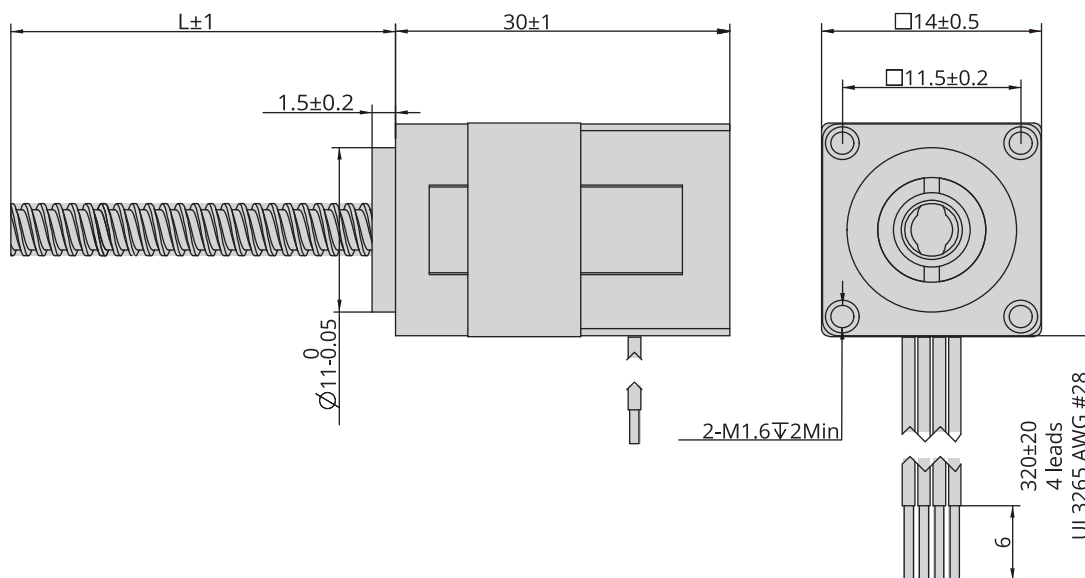
Model	Voltage	Current	Resistance	Inductance	Lead Wire	Motor Length	
	V/∅	A/∅	Ω/∅	mH/∅	Pin	inch	mm
PHBL14E30-4S03	6.6	0.3	22	3.6	4	1.3026	30

Lead Screw Specs

Lead Code	Screw Dia.		Lead		Trave /Step	
	inch	mm	inch	mm	inch	mm
AF	0.138	3.5	0.0118	0.3	0.000059	0.0015
AA	0.138	3.5	0.024	0.6096	0.00012	0.003048
AB	0.138	3.5	0.0394	1	0.000197	0.005
B	0.138	3.5	0.048	1.2192	0.00024	0.006096
G	0.138	3.5	0.0787	2	0.000394	0.01
M	0.138	3.5	0.1575	4	0.000787	0.02
T	0.138	3.5	0.315	8	0.001575	0.04

Typical Dimension

External



2Phase Hybrid Stepper Motor

3Phase Hybrid Stepper Motor

5Phase Hybrid Stepper Motor

Hybrid Stepper Gear Motor

Lead Screw Linear Actuator

Ball Screw Linear Actuator

IP65 Stepper Motor

Hollow Shaft Stepper Motor

Stepper Motor With Brake

Pancake Stepper Motor

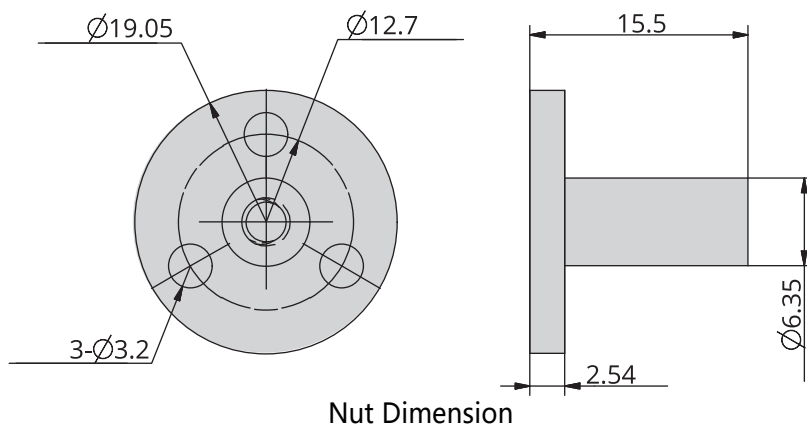
PM Stepper Motor

Can-Stack Stepper Linear Actuator

PM Stepper Gear Motor

Stepper Motor Drive

PHBL14 Series



Speed Thrust Curves

Size6 Single Stack Speed Thrust Curves

