

**PHB110T Series**

**Key Features**

- High Torque
- Low Noise
- Low Speed



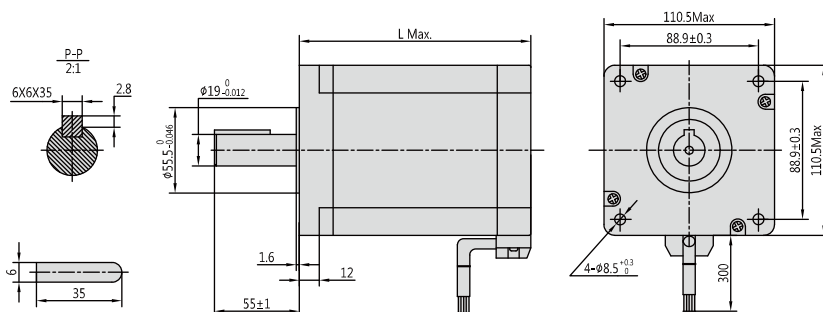
Step Angle	1.2°
Step Angle Accuracy	±5% (full step, no load)
Resistance Accuracy	±10%
Inductance Accuracy	±20%
Temperature Rise	80 °C Max.(rated current, 3 phase on)
Ambient Temperature	-20 °C ~ +50 °C
Insulation Resistance	100 MΩ Min., 500VDC
Dielectric Strength	1800 VAC for one minute
Shaft Radial Play	0.02 Max. (450 g-load)
Shaft Axial Play	0.08 Max. (450 g-load)

**Specifications**

- 3 Wires

Series & Length	Model Number	Holding Torque		Rated Current	Resistance per phase	Inductance per phase	Detent Torque		Rotor Inertia	
		N.m	oz-in				N.cm	oz-in	kg.cm <sup>2</sup>	oz-in <sup>2</sup>
PHB110T126 126mm	PHB110T126-360	11.0	15.4	6.0	0.8	6.0	28.5	39.9	9.0	49.50
PHB110T150 150mm	PHB110T150-360	12.5	17.5	6.0	1.0	8.0	35.5	49.7	11.0	60.50
PHB110T165 165mm	PHB110T165-360	14.0	19.6	6.0	1.2	9.5	45.5	63.7	13.0	71.50
PHB110T200 200mm	PHB110T200-360	15.5	21.7	6.0	1.45	13.2	65.5	91.7	25.0	137.5

**Mechanical Dimension**



Series	L	Mass
	mm (in.)	kg (lb.)
PHB110T126	126 (4.96)	6.8 (15.0)
PHB110T150	150 (5.91)	8.4 (18.5)
PHB110T165	165 (6.50)	9.3 (20.5)
PHB110T200	200 (7.87)	12.0 (26.4)