

PHB86S Series

● **Key Features**

- High Torque
- Smooth Movement
- High Accuracy

● **Option**



Step Angle	1.8°
Step Angle Accuracy	±5% (full step, no load)
Resistance Accuracy	±10%
Inductance Accuracy	±20%
Temperature Rise	80 °C Max.(rated current)
Ambient Temperature	-20 °C ~ +50 °C
Insulation Resistance	100 MΩ Min., 500VDC
Dielectric Strength	1500 VAC for one minute
Shaft Radial Play	0.02 Max. (450 g-load)
Shaft Axial Play	0.08 Max. (450 g-load)

● **Specifications**

- 8 wires

Model & Length	Model Number	Connection	Holding Torque		Rated Current	Resistance per phase		Inductance per phase	Detent Torque		Rotor Inertia	
			N.cm	oz-in	A	ohm	mH	N.cm	oz-in	g.cm ²	oz-in ²	
PHB86S66 66mm	PHB86S66-801	Bipolar-Parallel	310	434	3.8	0.6	3.5	5.5	7.7	850	4.675	
		Bipolar-Series	310	434	1.9	2.4	14.0					
	PHB86S66-802	Bipolar-Parallel	310	434	5.6	0.3	1.6	5.5	7.7	850	4.675	
		Bipolar-Series	310	434	2.8	1.2	6.4					
	PHB86S66-803	Bipolar-Parallel	310	434	7.0	0.2	1.0	5.5	7.7	850	4.675	
		Bipolar-Series	310	434	3.5	0.8	4.0					
PHB86S78 78mm	PHB86S78-801	Bipolar-Parallel	420	588	3.8	0.8	5.6	6.5	9.1	1050	5.775	
		Bipolar-Series	420	588	1.9	3.2	22.4					
	PHB86S78-802	Bipolar-Parallel	420	588	5.6	0.35	3.0	6.5	9.1	1050	5.775	
		Bipolar-Series	420	588	2.8	1.4	12.0					
	PHB86S78-803	Bipolar-Parallel	420	588	7.0	0.25	1.8	6.5	9.1	1050	5.775	
		Bipolar-Series	420	588	3.5	1.0	7.2					
PHB86S98 92mm	PHB86S98-801	Bipolar-Parallel	650	910	3.8	0.95	8.6	9.5	13.3	1550	8.525	
		Bipolar-Series	650	910	1.9	3.8	34.4					
	PHB86S98-802	Bipolar-Parallel	650	910	5.6	0.5	4.1	9.5	13.3	1550	8.525	
		Bipolar-Series	650	910	2.8	2.0	16.4					
	PHB86S98-803	Bipolar-Parallel	650	910	7.0	0.32	2.4	9.5	13.3	1550	8.525	
		Bipolar-Series	650	910	3.5	1.3	9.6					

2Phase Hybrid Stepper Motor

3Phase Hybrid Stepper Motor

5Phase Hybrid Stepper Motor

Hybrid Stepper Gear Motor

Lead Screw Linear Actuator

Ball Screw Linear Actuator

IP65 Stepper Motor

Hollow Shaft Stepper Motor

Stepper Motor With Brake

Pancake Stepper Motor

PM Stepper Motor

Can-Stack Stepper Linear Actuator

PM Stepper Gear Motor

Stepper Motor Drive

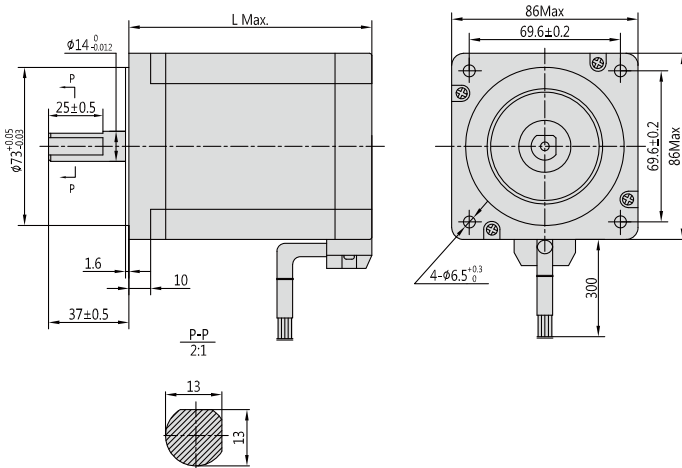
PHB86S Series

● Specifications

- 8 wires

Model & Length	Model Number	Connection	Holding Torque		Rated Current	Resistance per phase	Inductance per phase	Detent Torque		Rotor Inertia	
			N.cm	oz-in	A	ohm	mH	N.cm	oz-in	g.cm ²	oz-in ²
PHB86S114 114mm	PHB86S114-801	Bipolar-Parallel	820	1148	3.8	1.0	11.5	12.5	17.5	1800	9.900
		Bipolar-Series	820	1148	1.9	4.0	46				
	PHB86S114-802	Bipolar-Parallel	820	1148	5.6	0.55	5.5	12.5	17.5	1800	9.900
		Bipolar-Series	820	1148	2.8	2.2	22.0				
	PHB86S114-803	Bipolar-Parallel	820	1148	7.0	0.4	3.2	12.5	17.5	1800	9.900
		Bipolar-Series	820	1148	3.5	1.5	12.8				
PHB86S126 126mm	PHB86S126-801	Bipolar-Parallel	900	1260	3.8	1.25	12.5	18.5	25.9	2200	12.10
		Bipolar-Series	900	1260	1.9	5.0	50				
	PHB86S126-802	Bipolar-Parallel	900	1260	5.6	0.65	5.8	18.5	25.9	2200	12.10
		Bipolar-Series	900	1260	2.8	2.6	23.2				
	PHB86S126-803	Bipolar-Parallel	900	1260	7.0	0.43	3.4	18.5	25.9	2200	12.10
		Bipolar-Series	900	1260	3.5	1.7	13.6				
PHB86S150 150mm	PHB86S150-801	Bipolar-Parallel	1200	1680	3.8	1.5	17.5	24.5	34.3	2500	13.75
		Bipolar-Series	1200	1680	1.9	5.8	70				
	PHB86S150-802	Bipolar-Parallel	1200	1680	5.6	0.7	9.2	24.5	34.3	2500	13.75
		Bipolar-Series	1200	1680	2.8	2.8	36.8				
	PHB86S150-803	Bipolar-Parallel	1200	1680	7.0	0.45	5.2	24.5	34.3	2500	13.75
		Bipolar-Series	1200	1680	3.5	1.8	20.8				

● Mechanical Dimension



Series	L	Mass
	mm (in.)	kg (lb.)
PHB86S66	66 (2.60)	2.0 (4.40)
PHB86S78	78 (3.07)	2.5 (5.50)
PHB86S98	98 (3.86)	3.0 (6.60)
PHB86S114	114 (4.49)	4.0 (8.80)
PHB86S126	126 (4.96)	4.5 (9.90)
PHB86S150	150 (5.91)	5.0 (11.0)