

PHB57M Series

● Key Features

- Smooth Movement
- High Torque
- Low Speed

● Option



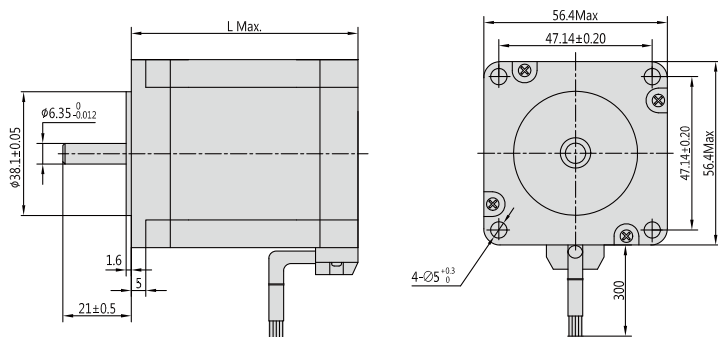
Step Angle	0.9°
Step Angle Accuracy	±5% (full step, no load)
Resistance Accuracy	±10%
Inductance Accuracy	±20%
Temperature Rise	80 °C Max.(rated current, 2 phase on)
Ambient Temperature	-20 °C ~ +50 °C
Insulation Resistance	100 MΩ Min., 500VDC
Dielectric Strength	500 VAC for one minute
Shaft Radial Play	0.02 Max. (450 g-load)
Shaft Axial Play	0.08 Max. (450 g-load)

● Specifications

- Bi-polar

Series & Length	Model Number	Holding Torque		Rated Current	Resistance per phase	Inductance per phase	Detent Torque		Rotor Inertia	
		N.cm	oz-in	A	ohm	mH	N.cm	oz-in	g.cm <sup>2</sup>	oz-in <sup>2</sup>
PHB57M41 41mm	PHB57M41-420	32	44.8	2.0	1.2	3.0	2.5	3.5	470	2.585
PHB57M45 45mm	PHB57M45-425	62	86.8	2.5	1.0	3.0	2.8	3.92	520	2.860
PHB57M51 51mm	PHB57M51-425	70	98	2.5	1.2	3.8	3.0	4.2	590	3.245
PHB57M56 56mm	PHB57M56-425	100	140	2.5	1.3	5.2	3.5	4.9	680	3.740
	PHB57M56-430	100	140	3.0	0.8	2.8	3.5	4.9	680	3.740
	PHB57M56-404	100	140	4.2	0.4	1.5	3.5	4.9	680	3.740
PHB57M64 64mm	PHB57M64-430	110	154	3.0	0.9	3.0	5.0	7	850	4.675
	PHB57M64-404	110	154	4.2	0.55	1.5	5.0	7	850	4.675
PHB57M76 76mm	PHB57M76-430	150	210	3.0	1.0	4.3	6.0	8.4	1050	5.775
	PHB57M76-404	150	210	4.2	0.6	2.2	6.0	8.4	1050	5.775

● Mechanical Dimension



Series	L	Mass
	mm (in.)	g (lb.)
PHB57M41	41 (1.61)	470 (1.04)
PHB57M45	45 (1.77)	520 (1.14)
PHB57M51	51 (2.01)	590 (1.30)
PHB57M56	56 (2.20)	680 (1.50)
PHB57M64	64 (2.52)	850 (1.87)
PHB57M76	76 (2.99)	1050 (2.31)